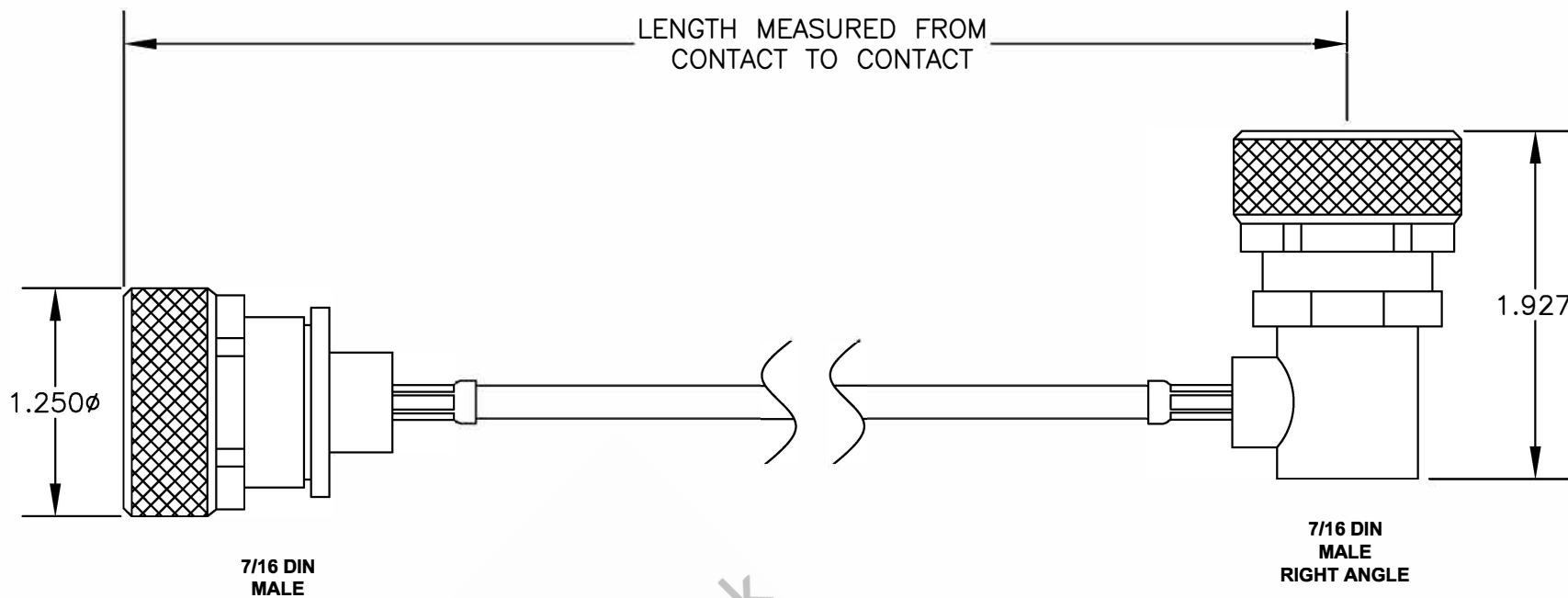


COMPONENTS	IMPEDANCE
7/16 DIN MALE	50 OHM
7/16 DIN MALE RIGHT ANGLE	50 OHM

Standard Lengths	
-36	36"
-48	48"
-60	60"
-72	72"
-120	120"
-XXX	Custom Length in Inches




8TH FLOOR, BUILDING 1, YONGFU SCIENCE AND TECHNOLOGY CENTER INDUSTRIAL PARK, NANZHA DISTRICT 5, HUMEN, 523900, DONGGUAN, GUANGDONG, CHINA

ebeestock WEBSITE: www.ebeestock.com
 EMAIL: sales@ebeestock.com

9 H% \$- %

DES. CABLE ASSEMBLY, 7/16 DIN MALE TO 7/16 DIN MALE RIGHT ANGLE

REV. B	FSCM NO. 53919	CAD FILE 122211	SCALE N/A	SIZE A	2233
--------	----------------	-----------------	-----------	--------	------

- NOTES:**
1. UNLESS OTHERWISE SPECIFIED ALL DIMENSIONS ARE NOMINAL.
 2. ALL SPECIFICATIONS ARE SUBJECT TO CHANGE WITHOUT NOTICE AT ANY TIME.
 3. DIMENSIONS ARE IN INCHES.
 4. LENGTH TOLERANCE IS ± 1.5% OR 3/8", WHICHEVER IS GREATER.