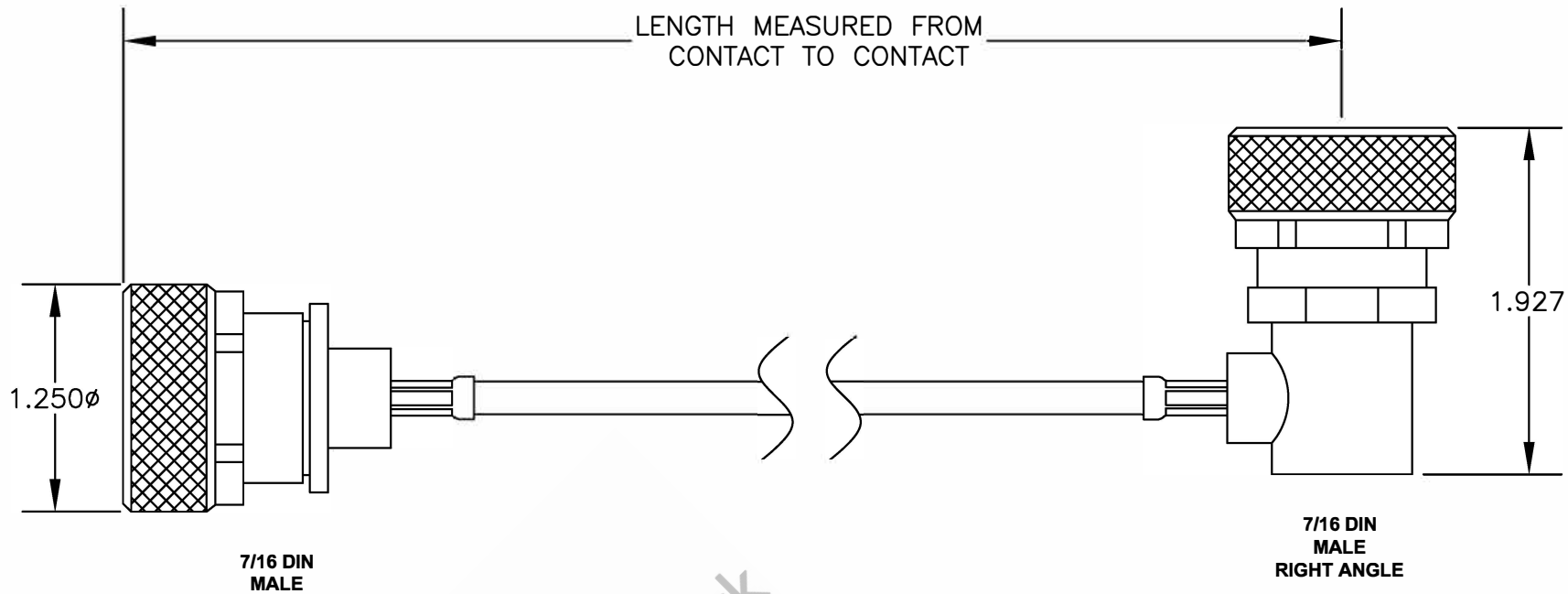



COMPONENTS	IMPEDANCE
7/16 DIN MALE	50 OHM
7/16 DIN MALE RIGHT ANGLE	50 OHM

Standard Lengths	
-36	36"
-48	48"
-60	60"
-72	72"
-120	120"
-XXX	Custom Length in Inches



		8TH FLOOR, BUILDING 1, YONGFU SCIENCE AND TECHNOLOGY CENTER INDUSTRIAL PARK, NANZHA DISTRICT 5, HUMEN, 523900, DONGGUAN, GUANGDONG, CHINA			
ebeestock		WEBSITE: www.ebeestock.com EMAIL: sales@ebeestock.com			
9H% \$- ('		DES. CABLE ASSEMBLY, 7/16 DIN MALE TO 7/16 DIN MALE RIGHT ANGLE			
REV. B	FSCM NO. 53919	CAD FILE 122211	SCALE N/A	SIZE A	2233
NOTES: 1. UNLESS OTHERWISE SPECIFIED ALL DIMENSIONS ARE NOMINAL. 2. ALL SPECIFICATIONS ARE SUBJECT TO CHANGE WITHOUT NOTICE AT ANY TIME. 3. DIMENSIONS ARE IN INCHES. 4. LENGTH TOLERANCE IS $\pm 1.5\%$ OR $3/8"$, WHICHEVER IS GREATER.					