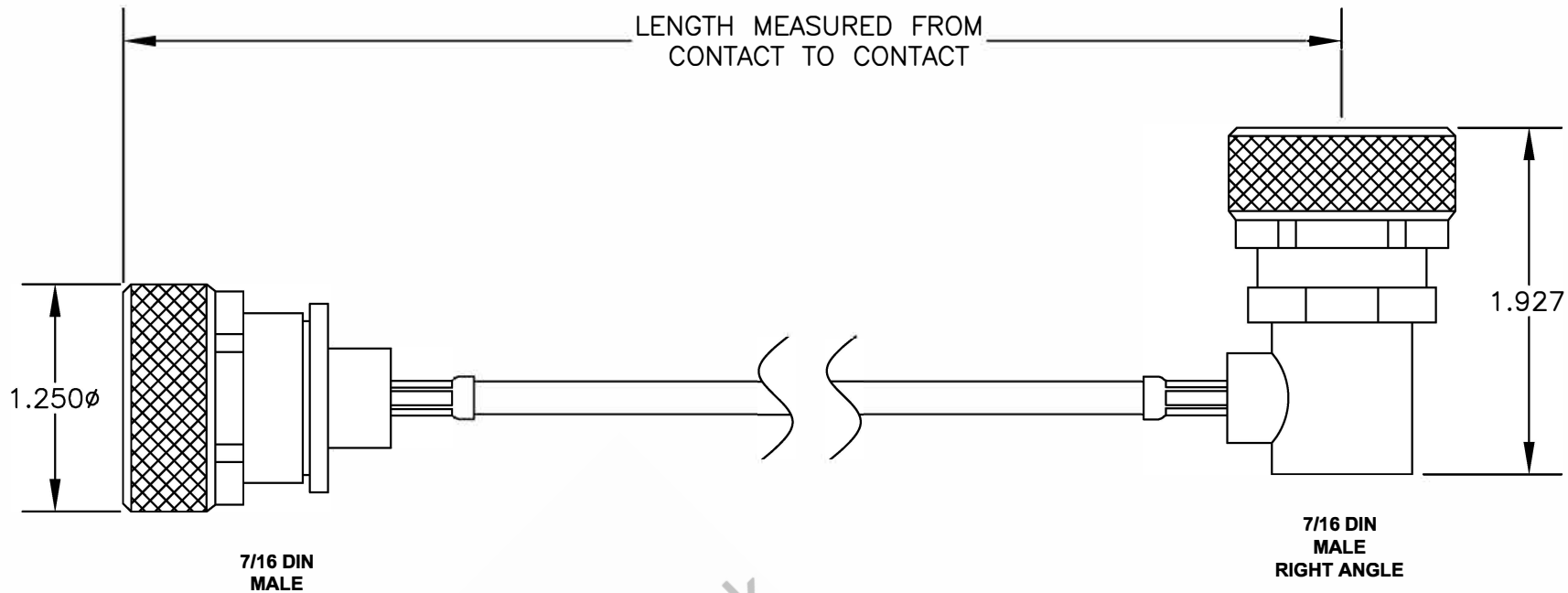


| COMPONENTS | IMPEDANCE |
|---------------------------|-----------|
| 7/16 DIN MALE | 50 OHM |
| 7/16 DIN MALE RIGHT ANGLE | 50 OHM |
| | |
| | |

| Standard Lengths | |
|------------------|-------------------------|
| -36 | 36" |
| -48 | 48" |
| -60 | 60" |
| -72 | 72" |
| -120 | 120" |
| -XXX | Custom Length in Inches |
| | |



| | | | | | |
|--|----------------|-----------------|---|--------|------|
| 8TH FLOOR, BUILDING 1, YONGFU SCIENCE AND TECHNOLOGY CENTER INDUSTRIAL PARK, NANZHA DISTRICT 5, HUMEN, 523900, DONGGUAN, GUANGDONG, CHINA WEBSITE: www.ebeestock.com EMAIL: sales@ebeestock.com | | | | | |
| DWG TITLE | | | DES. CABLE ASSEMBLY, 7/16 DIN MALE TO 7/16 DIN MALE RIGHT ANGLE | | |
| ET16095 | | | | | |
| REV. B | FSCM NO. 53919 | CAD FILE 122211 | SCALE N/A | SIZE A | 2233 |
| NOTES: 1. UNLESS OTHERWISE SPECIFIED ALL DIMENSIONS ARE NOMINAL. 2. ALL SPECIFICATIONS ARE SUBJECT TO CHANGE WITHOUT NOTICE AT ANY TIME. 3. DIMENSIONS ARE IN INCHES. 4. LENGTH TOLERANCE IS $\pm 1.5\%$ OR $3/8"$, WHICHEVER IS GREATER. | | | | | |