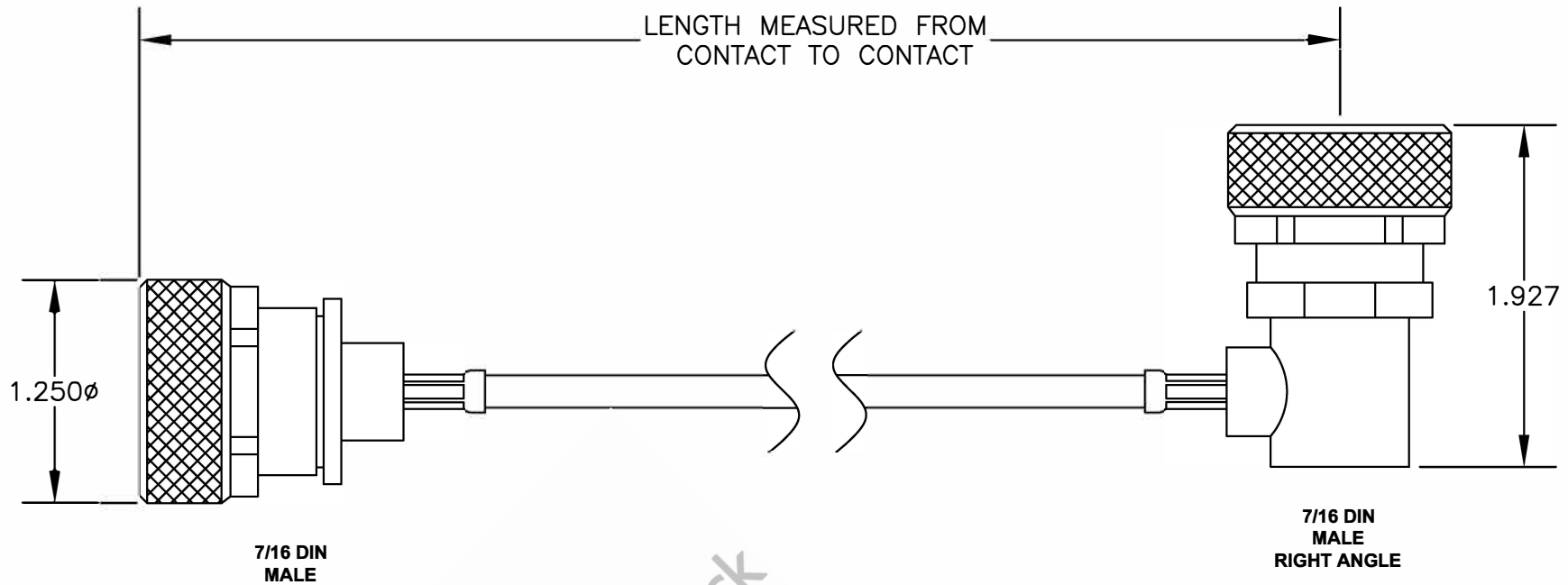



COMPONENTS	IMPEDANCE
7/16 DIN MALE	50 OHM
7/16 DIN MALE RIGHT ANGLE	50 OHM

Standard Lengths	
-36	36"
-48	48"
-60	60"
-72	72"
-120	120"
-XXX	Custom Length in Inches



ebeestock

 <p>8TH FLOOR, BUILDING 1, YONGFU SCIENCE AND TECHNOLOGY CENTER INDUSTRIAL PARK, NANZHA DISTRICT 5, HUMEN, 523900, DONGGUAN, GUANGDONG, CHINA</p> <p>WEBSITE: <a href="http://www.ebeestock.com">www.ebeestock.com</a> EMAIL: <a href="mailto:sales@ebeestock.com">sales@ebeestock.com</a></p>	
DWG TITLE	DES. CABLE ASSEMBLY, 7/16 DIN MALE TO 7/16 DIN MALE RIGHT ANGLE
9HP%\$-*	
REV. B   FSCMNO. 53919	CAD FILE 122211   SCALE N/A   SIZE A   2233
<p>NOTES:</p> <ol style="list-style-type: none"> <li>UNLESS OTHERWISE SPECIFIED ALL DIMENSIONS ARE NOMINAL.</li> <li>ALL SPECIFICATIONS ARE SUBJECT TO CHANGE WITHOUT NOTICE AT ANY TIME.</li> <li>DIMENSIONS ARE IN INCHES.</li> <li>LENGTH TOLERANCE IS ± 1.5% OR 3/8", WHICHEVER IS GREATER.</li> </ol>	