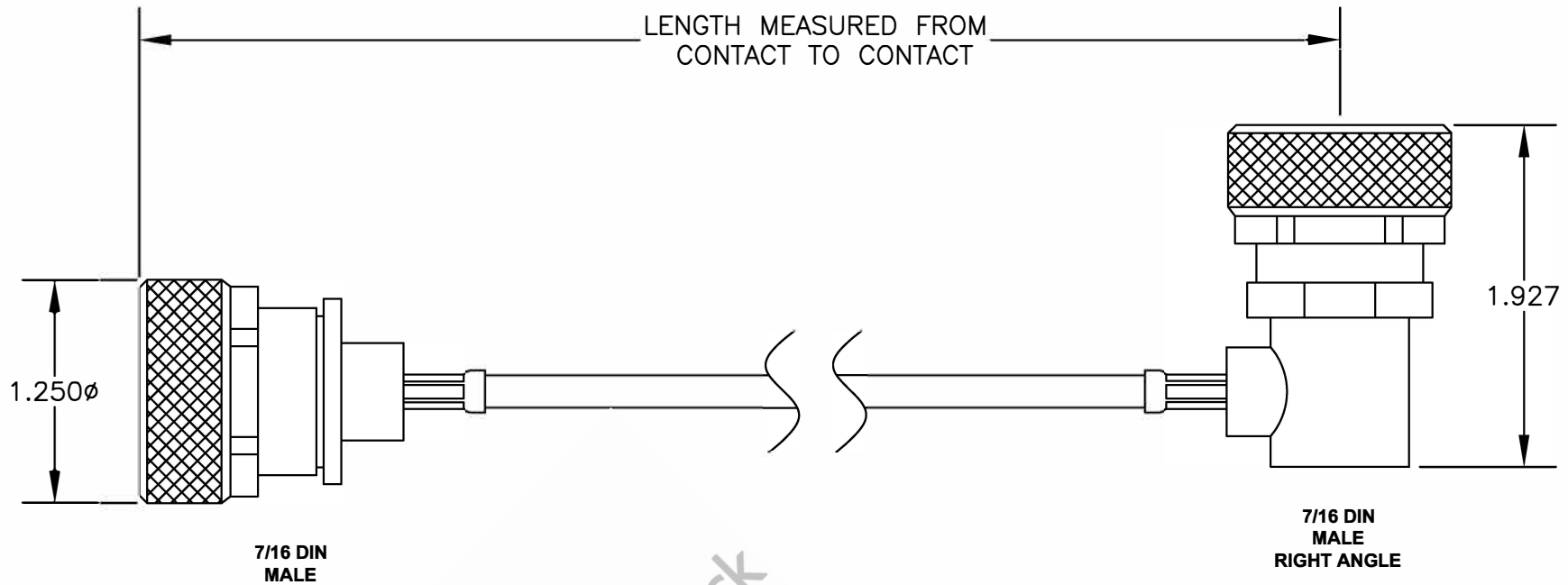



COMPONENTS	IMPEDANCE
7/16 DIN MALE	50 OHM
7/16 DIN MALE RIGHT ANGLE	50 OHM

Standard Lengths	
-36	36"
-48	48"
-60	60"
-72	72"
-120	120"
-XXX	Custom Length in Inches



 <p>8TH FLOOR, BUILDING 1, YONGFU SCIENCE AND TECHNOLOGY CENTER INDUSTRIAL PARK, NANZHA DISTRICT 5, HUMEN, 523900, DONGGUAN, GUANGDONG, CHINA</p> <p>WEBSITE: www.ebeestock.com EMAIL: sales@ebeestock.com</p>	
DWG TITLE	DES. CABLE ASSEMBLY, 7/16 DIN MALE TO 7/16 DIN MALE RIGHT ANGLE
9HP%\$\$	
REV. B FSCMNO. 53919	CAD FILE 122211 SCALE N/A SIZE A 2233
<p>NOTES:</p> <p>1. UNLESS OTHERWISE SPECIFIED ALL DIMENSIONS ARE NOMINAL.</p> <p>2. ALL SPECIFICATIONS ARE SUBJECT TO CHANGE WITHOUT NOTICE AT ANY TIME.</p> <p>3. DIMENSIONS ARE IN INCHES.</p> <p>4. LENGTH TOLERANCE IS ± 1.5% OR 3/8", WHICHEVER IS GREATER.</p>	