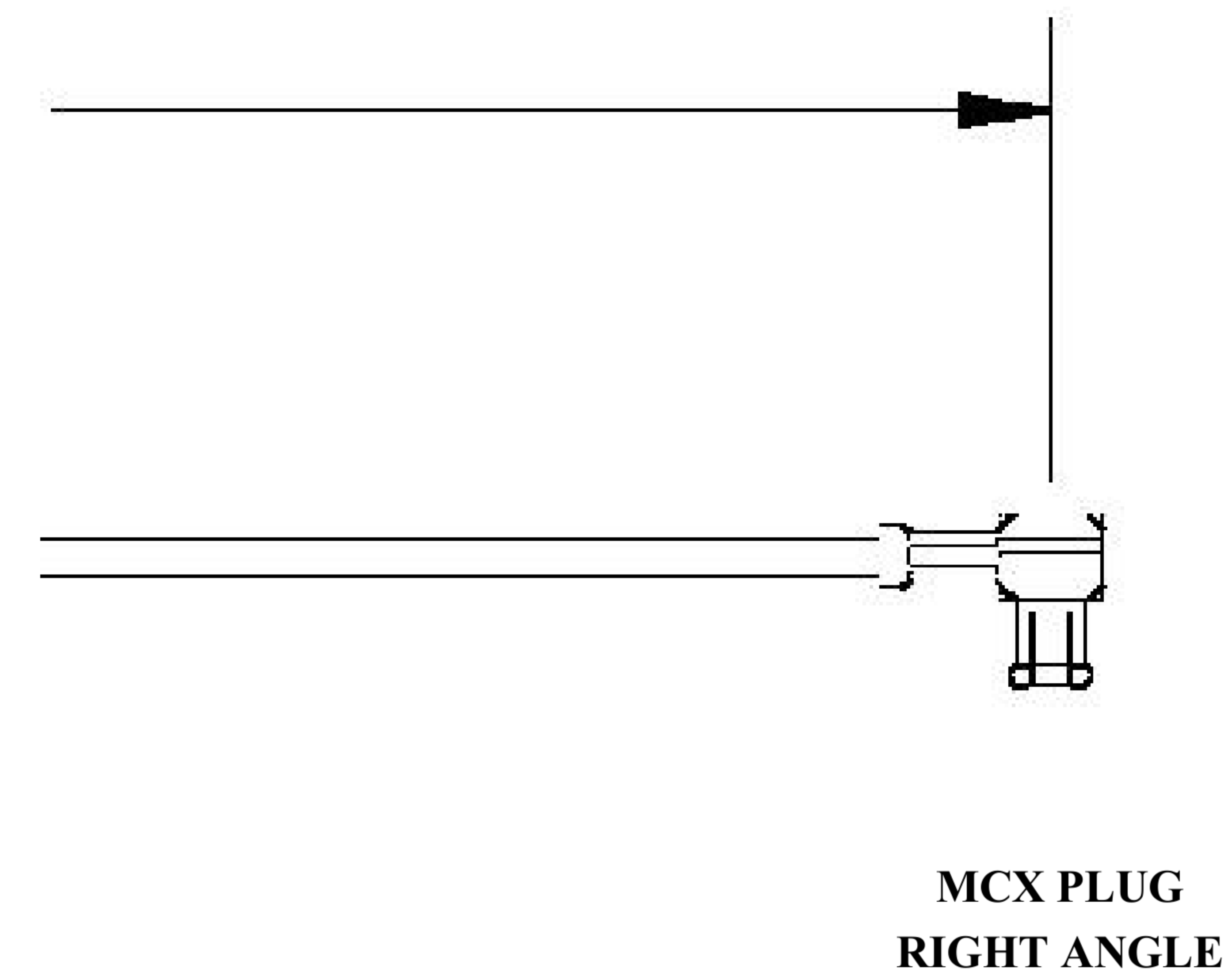
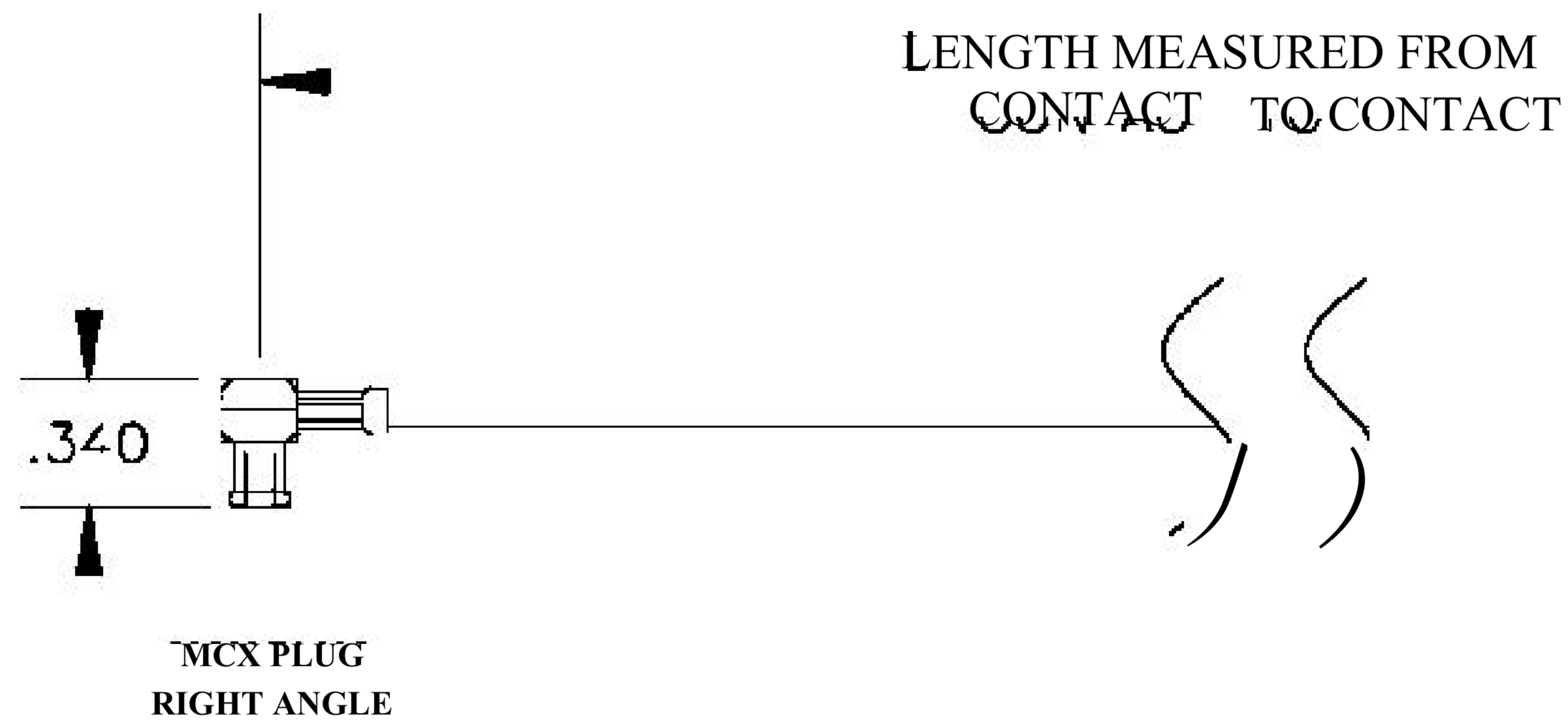


COMPONENTS	IMPEDANCE
MCX PLUG RIGHT ANGLE	50 OHM
MCX PLUG RIGHT ANGLE	50 OHM
RG196A/U	50 OHM

Standard Lengths	
-12	12"
-24	24 ^H
-36	36"
■48	48"
-60	60"
■XXX	Custom Length in inches



8th Floor, Building 1, Yongfu Science and Technology Center Industrial Park, Nanzha District 5, Humen, 523900, Dongguan, Guangdong, China.

Website: www.ebeestock.com

Email: sales@ebeestock.com

COAXIAL & FIBER OPTICS

DWG TITLE	DES_
ET24802	mcx-plug-right-angle-to-mcx-plug-right-angle-cable-12-inch-length-using-rg196-coax-0024800

SIZE A | FSCM NO. 53919 | CAD FILE 073102 | SCALE N/A |

| 127

NOTES:

- UNLESS OTHERWISE SPECIFIED ALL DIMENSIONS ARE NOMINAL.
- ALL SPECIFICATIONS ARE SUBJECT TO CHANGE WITHOUT NOTICE AT ANY TIME.