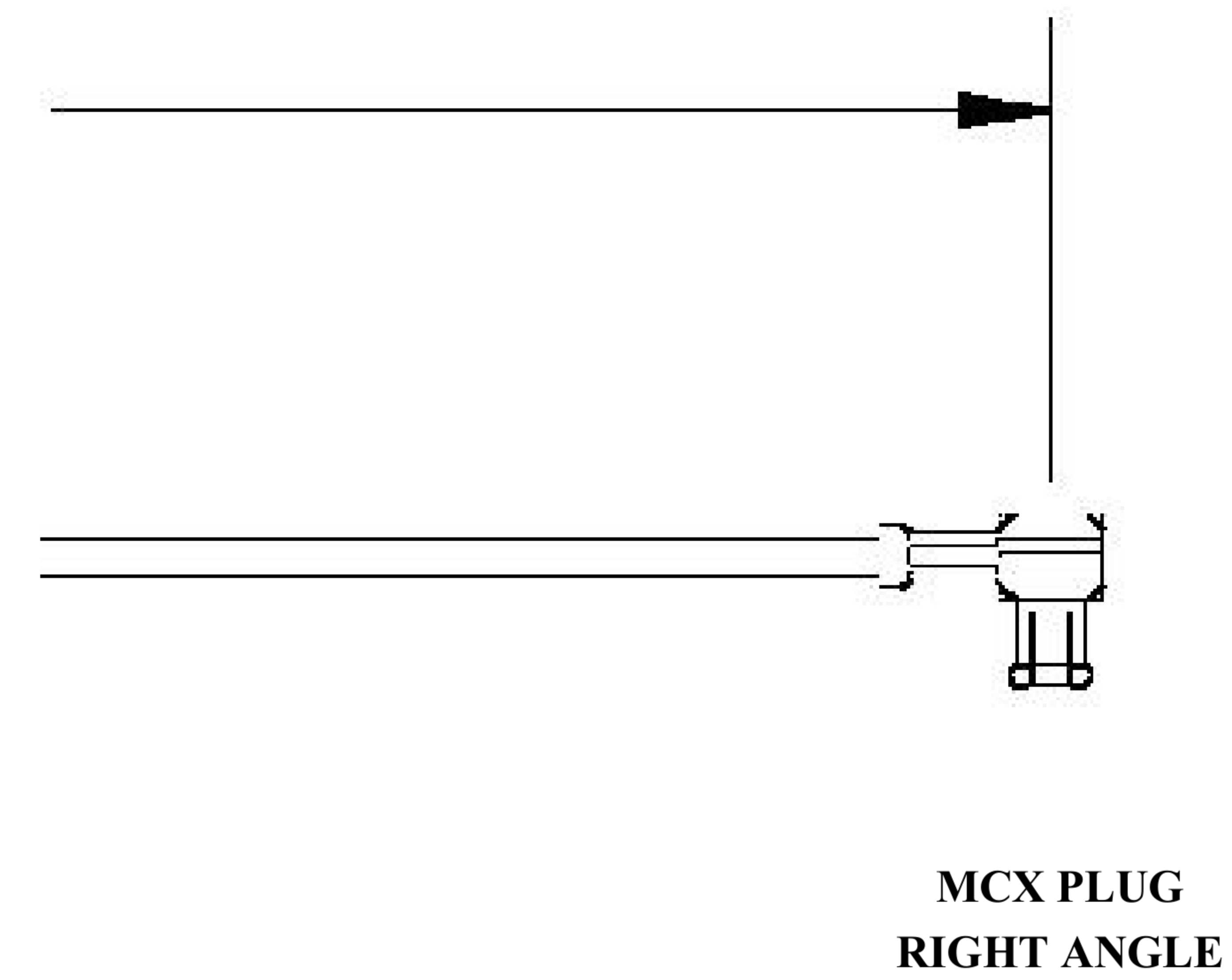
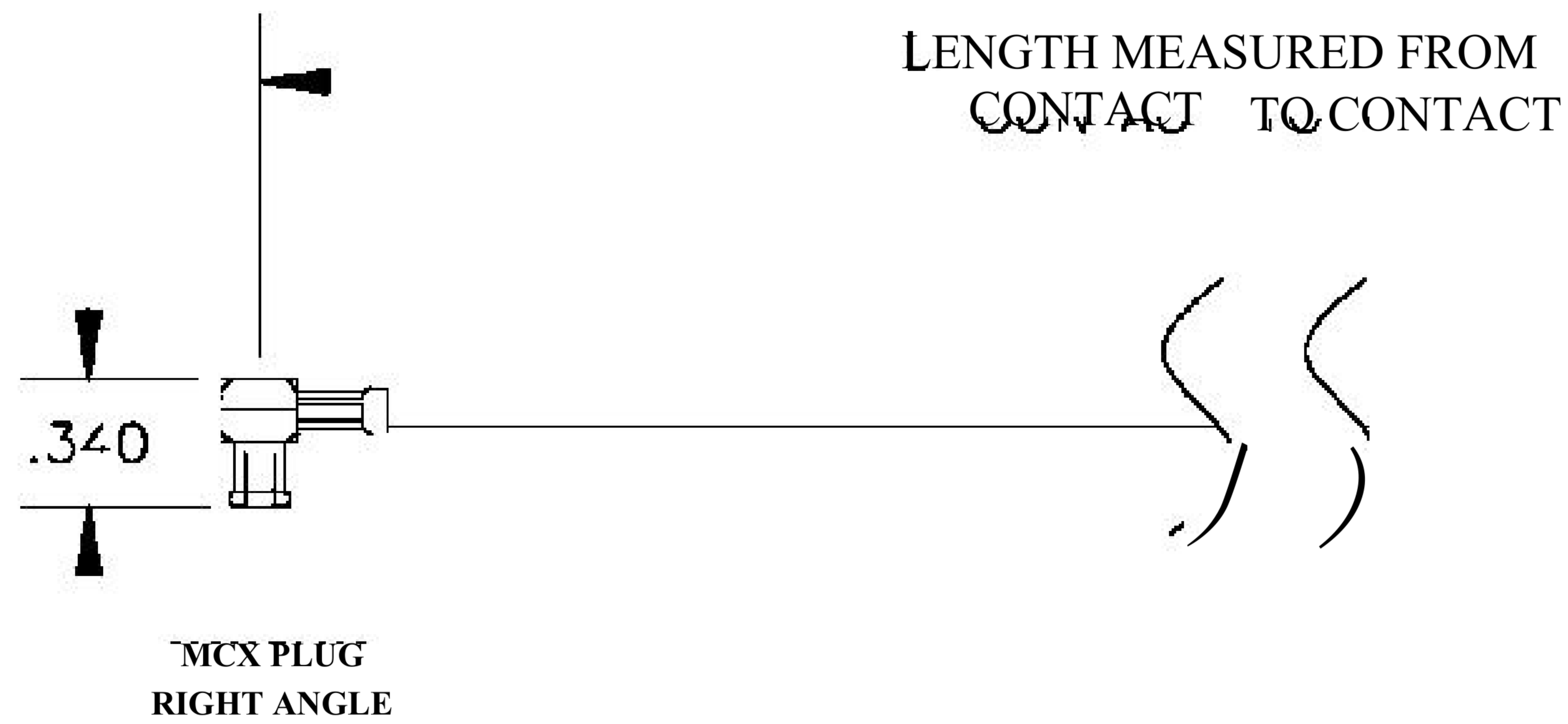


| COMPONENTS           | IMPEDANCE |
|----------------------|-----------|
| MCX PLUG RIGHT ANGLE | 50 OHM    |
| MCX PLUG RIGHT ANGLE | 50 OHM    |
| RG196A/U             | 50 OHM    |

| Standard Lengths |                         |
|------------------|-------------------------|
| -12              | 12"                     |
| -24              | 24 <sup>H</sup>         |
| -36              | 36"                     |
| ■48              | 48"                     |
| -60              | 60"                     |
| ■XXX             | Custom Length in inches |



8th Floor, Building 1, Yongfu Science and Technology Center Industrial Park, Nanzha District 5, Humen, 523900, Dongguan, Guangdong, China.

Website: [www.ebeestock.com](http://www.ebeestock.com)

Email: [sales@ebeestock.com](mailto:sales@ebeestock.com)

#### COAXIAL & FIBER OPTICS

|           |         |      |   |
|-----------|---------|------|---|
| DWG TITLE | ET24805 | DES_ | mcx-plug-right-angle-to-mcx-plug-right-angle-cable-12-inch-length-usin-g-rg196-coax-0024800 |
|-----------|---------|------|---|

SIZE A | FSCM NO. 53919 | CAD FILE 073102 | SCALE N/A |

| 127

#### NOTES:

1. UNLESS OTHERWISE SPECIFIED ALL DIMENSIONS ARE NOMINAL.
2. ALL SPECIFICATIONS ARE SUBJECT TO CHANGE WITHOUT NOTICE AT ANY TIME.