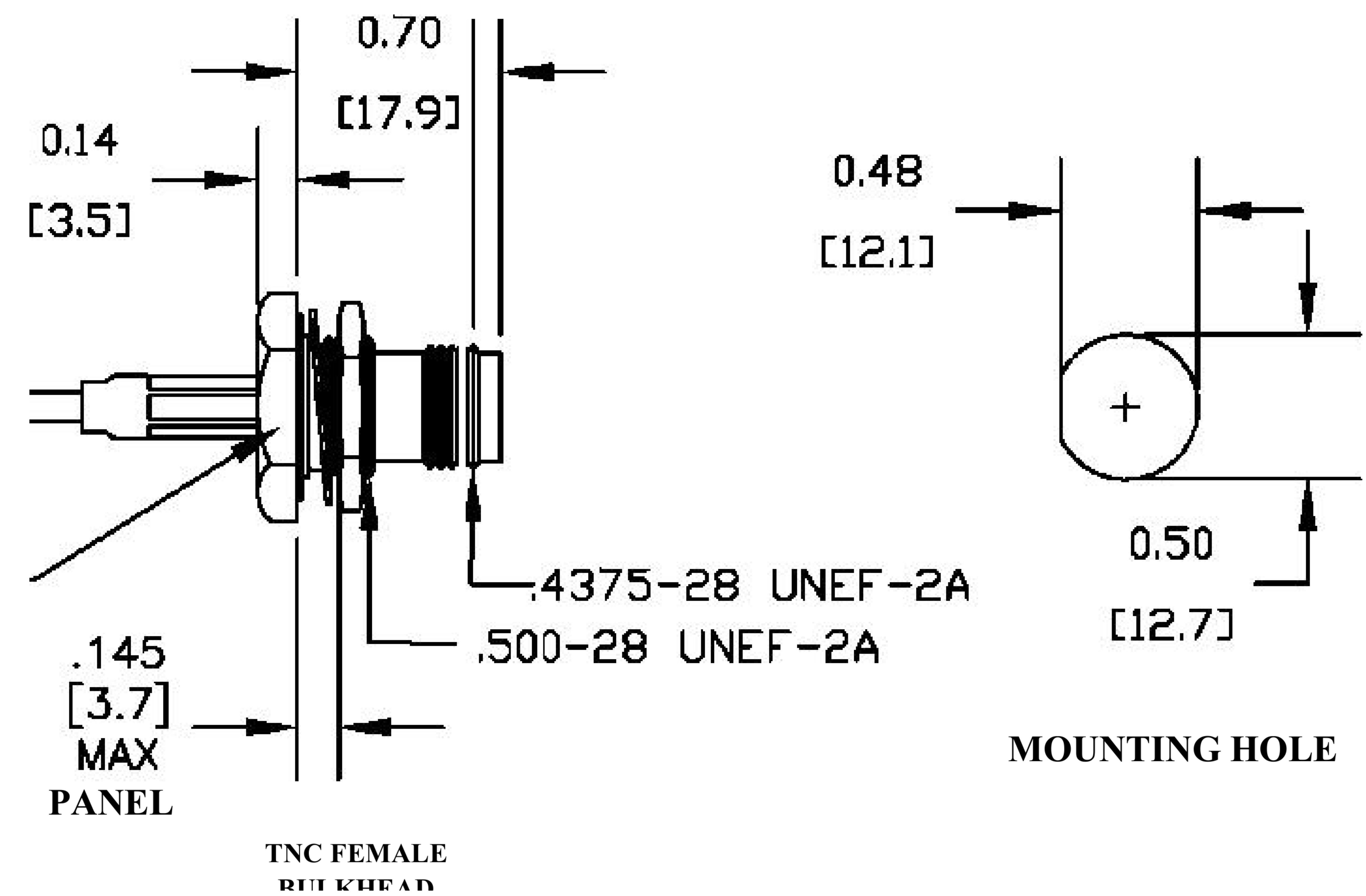
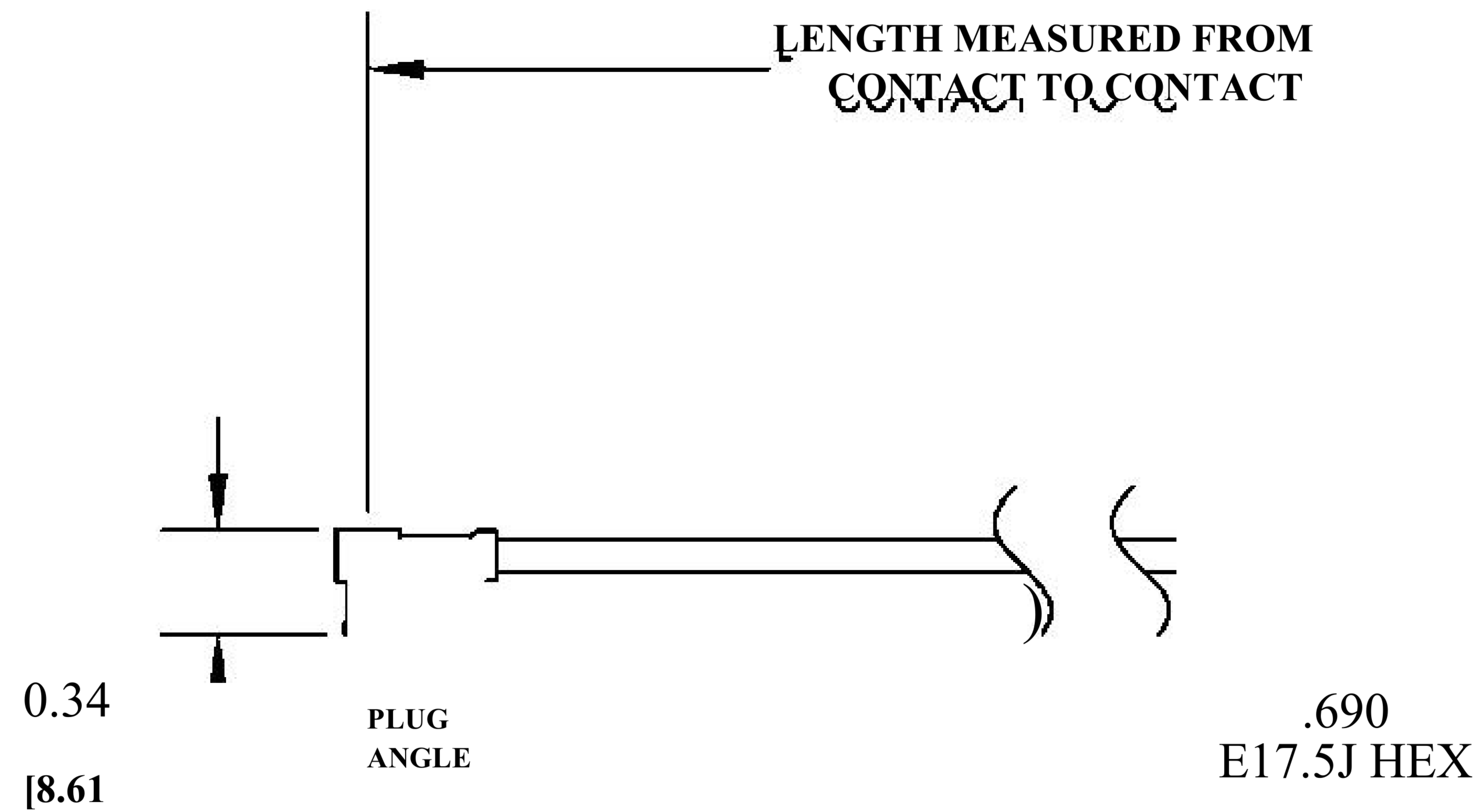


COMPONENTS	IMPEDANCE
MCX PLUG RIGHT ANGLE	50 OHM
TNC FEMALE BULKHEAD	50 OHM
RG174A/U	50 OHM

### Standard Lengths

-12	12"
-24	24"
-36	36"
-48	48"
-60	60"
-XXX	Custom Length in inches



8th Floor, Building 1, Yongfu Science and Technology Center Industrial Park, Nanzha District 5, Humen, 523900, Dongguan, Guangdong, China.

Website: [www.ebeestock.com](http://www.ebeestock.com)

Email: [sales@ebeestock.com](mailto:sales@ebeestock.com)

### COAXIAL & FIBER OPTICS

DWG TITLE ET24954	DES_ tnc-female-bulkhead-to-mcx-plug-right-angle-cable-12-inch-length-using-rg174-coax-0024952
----------------------	---

SIZE A | FSCM NO. 53919 | CAD FILE 073102 | SCALE N/A |

| 127

#### NOTES:

- UNLESS OTHERWISE SPECIFIED ALL DIMENSIONS ARE NOMINAL.
- ALL SPECIFICATIONS ARE SUBJECT TO CHANGE WITHOUT NOTICE AT ANY TIME.