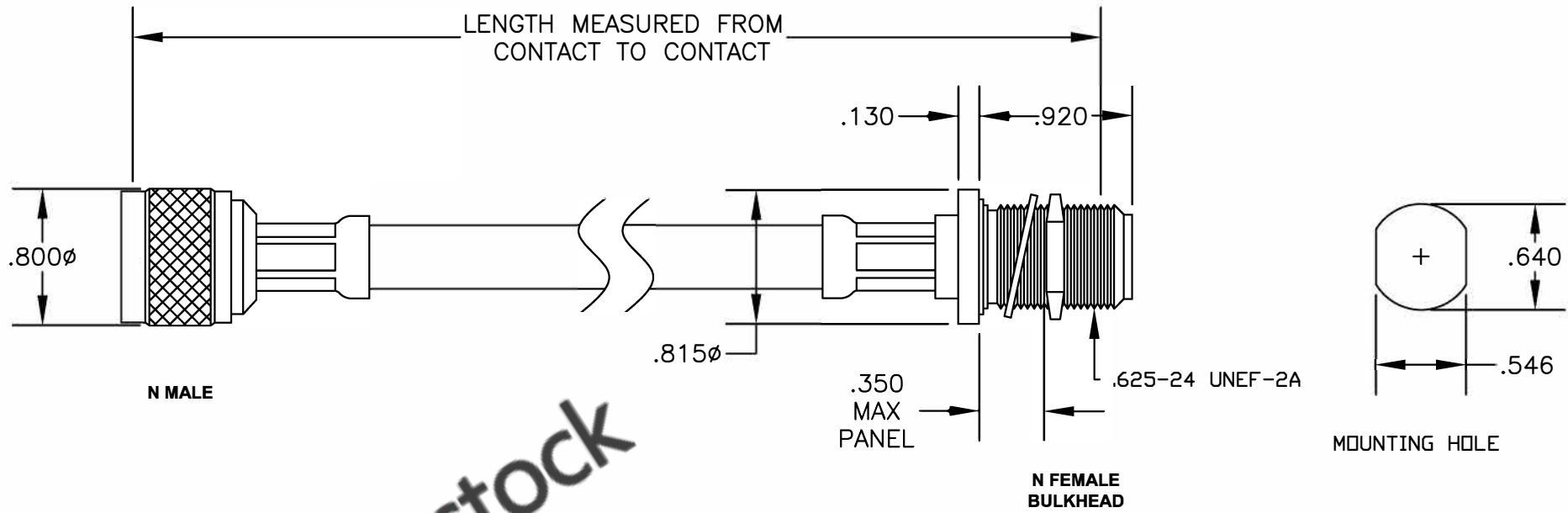



| COMPONENTS        | IMPEDANCE |
|-------------------|-----------|
| N MALE            | 50 OHM    |
| N FEMALE BULKHEAD | 50 OHM    |
| RG214/U           | 50 OHM    |

| Standard Lengths |                         |
|------------------|-------------------------|
| -12              | 12"                     |
| -24              | 24"                     |
| -36              | 36"                     |
| -48              | 48"                     |
| -60              | 60"                     |
| -XXX             | Custom Length in inches |




**8TH FLOOR, BUILDING 1, YONGFU SCIENCE AND TECHNOLOGY CENTER INDUSTRIAL PARK, NANZHA DISTRICT 5, HUMEN, 523900, DONGGUAN, GUANGDONG, CHINA**  
 WEBSITE: [www.ebeestock.com](http://www.ebeestock.com)  
 EMAIL: [sales@ebeestock.com](mailto:sales@ebeestock.com)  
**COAXIAL & FIBER OPTICS**

---

**ET26527**
DES. CABLE ASSEMBLY, RG214/U, N MALE TO N FEMALE BULKHEAD (LEAD FREE)

|        |                |                 |           |     |
|--------|----------------|-----------------|-----------|-----|
| SIZE A | FSCM NO. 53919 | CAD FILE 060107 | SCALE N/A | 127 |
|--------|----------------|-----------------|-----------|-----|

**NOTES:**  
 1. UNLESS OTHERWISE SPECIFIED ALL DIMENSIONS ARE NOMINAL.  
 2. ALL SPECIFICATIONS ARE SUBJECT TO CHANGE WITHOUT NOTICE AT ANY TIME.  
 3. DIMENSIONS ARE IN INCHES.  
 4. LENGTH TOLERANCE IS ± 1.5% OR ±3/8", WHICHEVER IS GREATER.