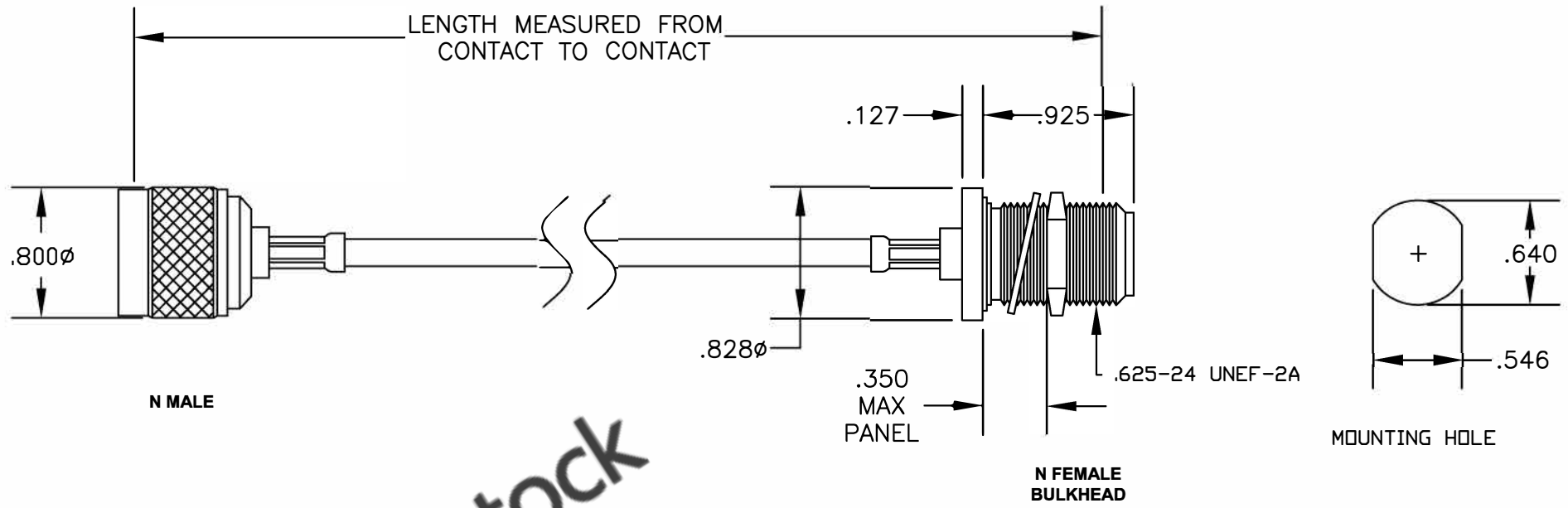



| COMPONENTS | IMPEDANCE |
|-------------------|-----------|
| N MALE | 50 OHM |
| N FEMALE BULKHEAD | 50 OHM |
| RG400/U | 50 OHM |

| Standard Lengths | |
|------------------|-------------------------|
| -12 | 12" |
| -24 | 24" |
| -36 | 36" |
| -48 | 48" |
| -60 | 60" |
| -XXX | Custom Length in inches |




8TH FLOOR, BUILDING 1, YONGFU SCIENCE AND TECHNOLOGY CENTER INDUSTRIAL PARK, NANZHA DISTRICT 5, HUMAN, 523900, DONGGUAN, GUANGDONG, CHINA
 WEBSITE: www.ebeestock.com
 EMAIL: sales@ebeestock.com
COAXIAL & FIBER OPTICS

ET26535

DES. CABLE ASSEMBLY, RG400/U, N MALE TO N FEMALE BULKHEAD

| | | | | | | |
|--------|--------------|----------|--------|-------|-----|-----|
| SIZE A | FSCMNO.53919 | CAD FILE | 060407 | SCALE | N/A | 127 |
|--------|--------------|----------|--------|-------|-----|-----|

- NOTES:**
- UNLESS OTHERWISE SPECIFIED ALL DIMENSIONS ARE NOMINAL.
 - ALL SPECIFICATIONS ARE SUBJECT TO CHANGE WITHOUT NOTICE AT ANY TIME.
 - DIMENSIONS ARE IN INCHES.
 - LENGTH TOLERANCE IS $\pm 1.5\%$ OR $\pm 3/8"$, WHICHEVER IS GREATER.