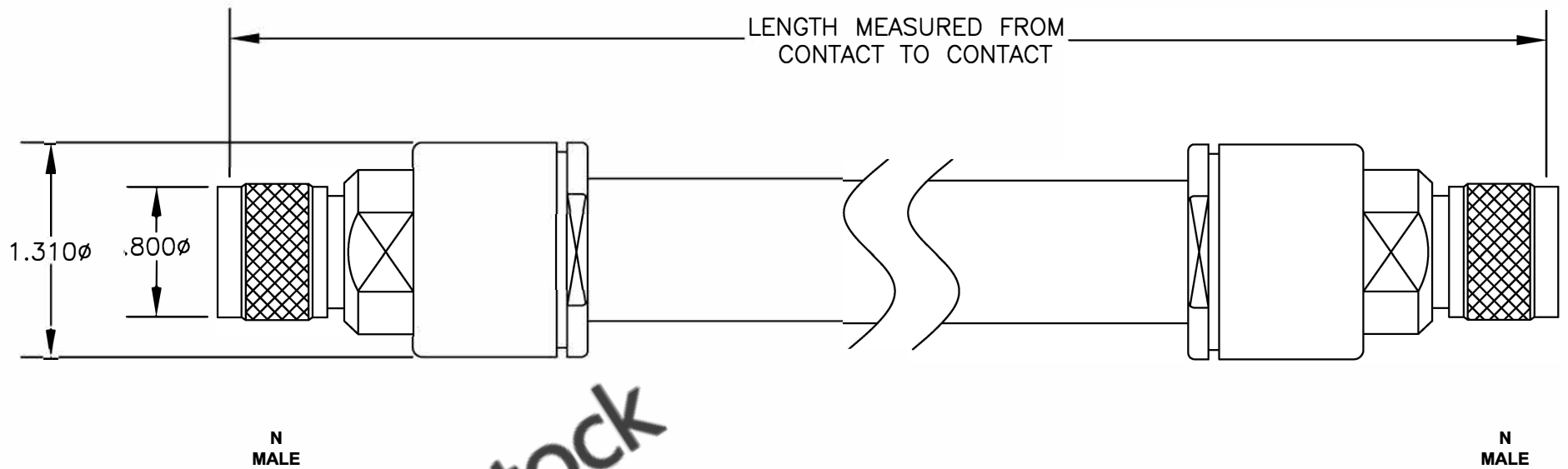



COMPONENTS	IMPEDANCE
N MALE	50 OHM
N MALE	50 OHM
RG218/U	50 OHM

Standard Lengths	
-12	12"
-24	24"
-36	36"
-48	48"
-60	60"
-XXX	Custom Length in inches



	<p>8TH FLOOR, BUILDING 1, YONGFU SCIENCE AND TECHNOLOGY CENTER INDUSTRIAL PARK, NANZHA DISTRICT 5, HUMEN, 523900, DONGGUAN, GUANGDONG, CHINA</p> <p>WEBSITE: www.ebeestock.com EMAIL: sales@ebeestock.com</p> <p>COAXIAL & FIBER OPTICS</p>				
ET26645	<p>DES. CABLE ASSEMBLY, RG218/U, N MALE TO N MALE (LEAD FREE)</p>				
REV. A 41	<table border="1" style="width: 100%; border-collapse: collapse;"> <tr> <td style="padding: 2px;">CM NO. 53919</td> <td style="padding: 2px;">CAD FILE 012208</td> <td style="padding: 2px;">SCALE N/A</td> <td style="padding: 2px;">SIZE A 147</td> </tr> </table>	CM NO. 53919	CAD FILE 012208	SCALE N/A	SIZE A 147
CM NO. 53919	CAD FILE 012208	SCALE N/A	SIZE A 147		

- NOTES:**
1. UNLESS OTHERWISE SPECIFIED ALL DIMENSIONS ARE NOMINAL.
 2. ALL SPECIFICATIONS ARE SUBJECT TO CHANGE WITHOUT NOTICE AT ANY TIME.
 3. DIMENSIONS ARE IN INCHES.
 4. LENGTH TOLERANCE IS $\pm 1.5\%$ OR 10mm, WHICHEVER IS GREATER.