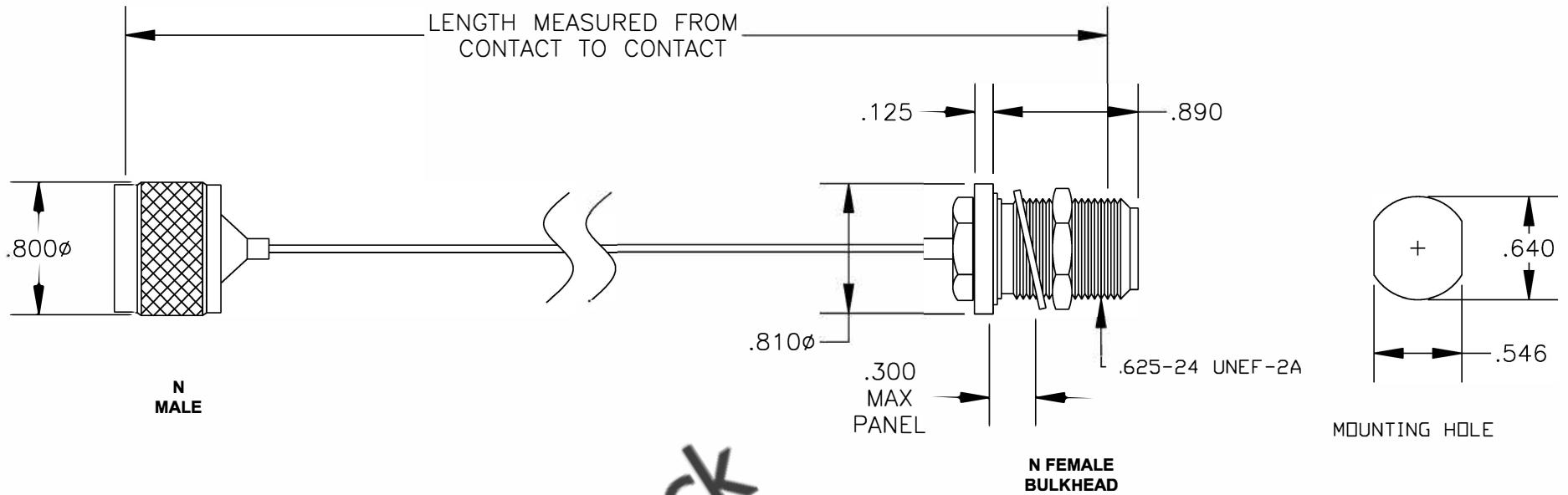


| COMPONENTS        | IMPEDANCE |
|-------------------|-----------|
| N MALE            | 50 OHM    |
| N FEMALE BULKHEAD | 50 OHM    |
| PE-047SR          | 50 OHM    |

| Standard Lengths |                         |
|------------------|-------------------------|
| -12              | 12"                     |
| -24              | 24"                     |
| -36              | 36"                     |
| -48              | 48"                     |
| -60              | 60"                     |
| -XXX             | Custom Length in inches |




**8TH FLOOR, BUILDING 1, YONGFU SCIENCE AND TECHNOLOGY CENTER INDUSTRIAL PARK, NANZHA DISTRICT 5, HUMEN, 523900, DONGGUAN, GUANGDONG, CHINA**  
 WEBSITE: [www.ebee stock.com](http://www.ebee stock.com)  
 EMAIL: [sales@ebee stock.com](mailto:sales@ebee stock.com)  
**COAXIAL & FIBER OPTICS**

|                |  |  |  |
|----------------|--|--|--|
| <b>ET26971</b> |  | DES. CABLE ASSEMBLY, PE-047SR, N MALE TO N FEMALE BULKHEAD |  |
|----------------|--|--|--|

|        |                       |                 |           |            |
|--------|-----------------------|-----------------|-----------|------------|
| REV. A | <b>FSCM NO. 53919</b> | CAD FILE 012508 | SCALE N/A | SIZE A 147 |
|--------|-----------------------|-----------------|-----------|------------|

- NOTES:**
- UNLESS OTHERWISE SPECIFIED ALL DIMENSIONS ARE NOMINAL.
  - ALL SPECIFICATIONS ARE SUBJECT TO CHANGE WITHOUT NOTICE AT ANY TIME.
  - DIMENSIONS ARE IN INCHES.
  - LENGTH TOLERANCE IS  $\pm 1.5\%$  OR  $\pm 3/8"$ , WHICHEVER IS GREATER.