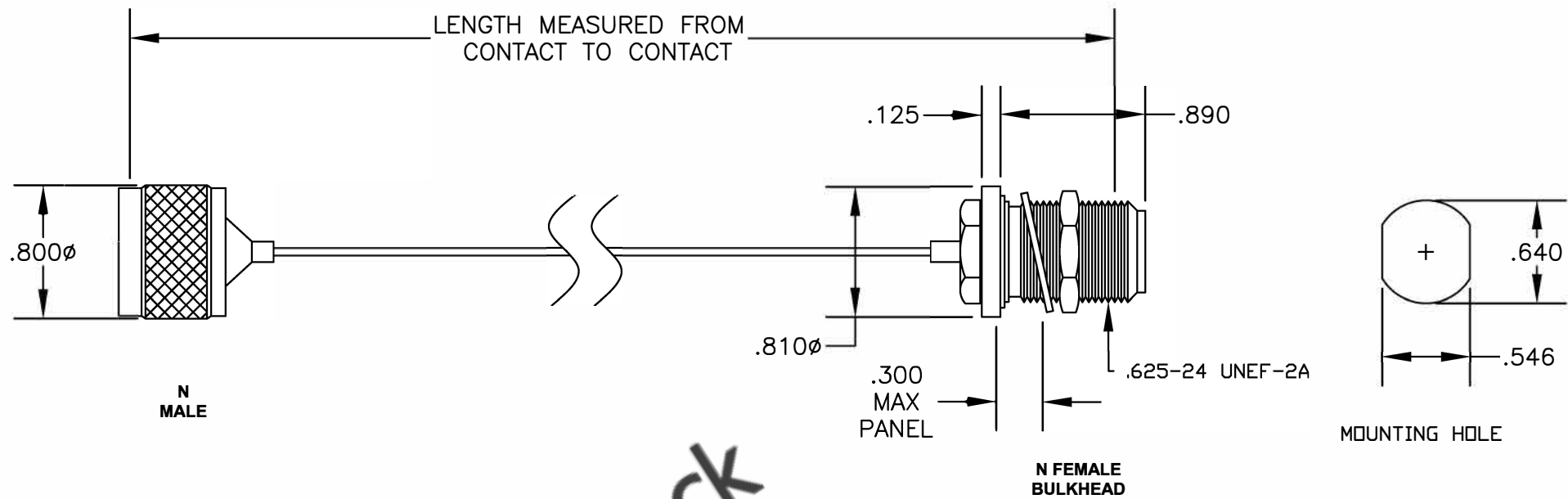


| COMPONENTS        | IMPEDANCE |
|-------------------|-----------|
| N MALE            | 50 OHM    |
| N FEMALE BULKHEAD | 50 OHM    |
| PE-SR047AL        | 50 OHM    |

| Standard Lengths |                         |
|------------------|-------------------------|
| -12              | 12"                     |
| -24              | 24"                     |
| -36              | 36"                     |
| -48              | 48"                     |
| -60              | 60"                     |
| -XXX             | Custom Length in inches |



8TH FLOOR, BUILDING 1, YONGFU SCIENCE AND TECHNOLOGY CENTER INDUSTRIAL PARK, NANZHA DISTRICT 5, HUMEN, 523900, DONGGUAN, GUANGDONG, CHINA

**ebee stock**

WEBSITE: [www.ebee stock.com](http://www.ebee stock.com)  
 EMAIL: [sales@ebee stock.com](mailto:sales@ebee stock.com)

COAXIAL & FIBER OPTICS

**ET26986**

DES. CABLE ASSEMBLY, PE-SR047AL, N MALE TO N FEMALE BULKHEAD

|        |              |          |        |       |     |     |
|--------|--------------|----------|--------|-------|-----|-----|
| SIZE A | FSCMNO.53919 | CAD FILE | 060407 | SCALE | N/A | 127 |
|--------|--------------|----------|--------|-------|-----|-----|

- NOTES:
1. UNLESS OTHERWISE SPECIFIED ALL DIMENSIONS ARE NOMINAL.
  2. ALL SPECIFICATIONS ARE SUBJECT TO CHANGE WITHOUT NOTICE AT ANY TIME.
  3. DIMENSIONS ARE IN INCHES.
  4. LENGTH TOLERANCE IS  $\pm 1.5\%$  OR  $\pm 3/8"$ , WHICHEVER IS GREATER.