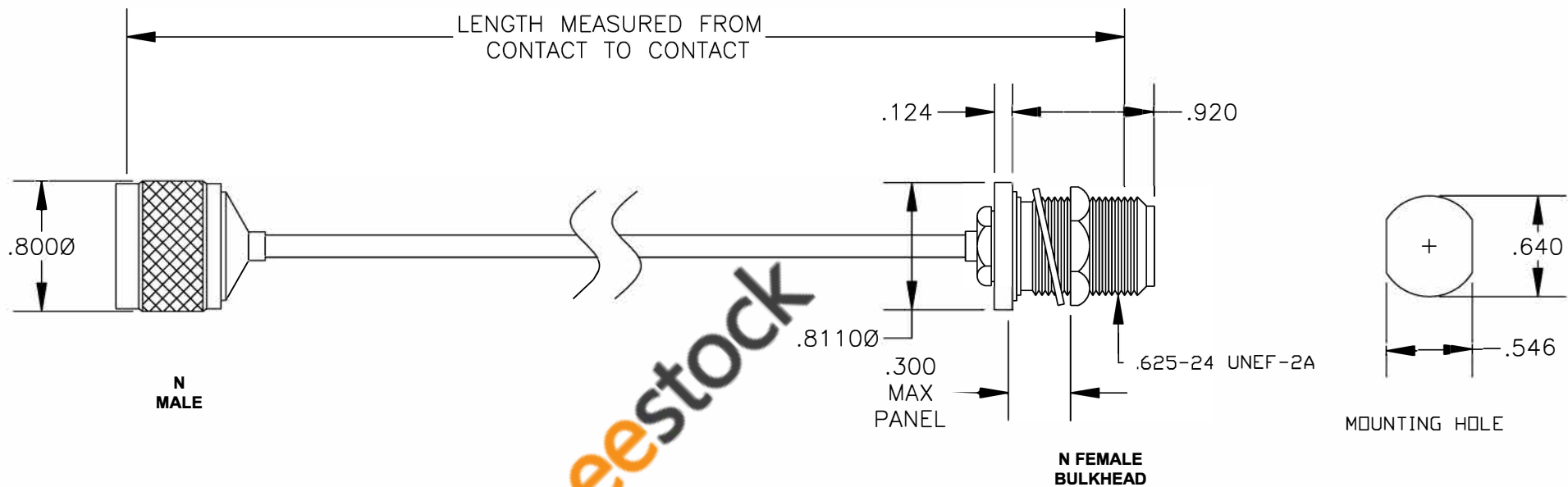



COMPONENTS	IMPEDANCE
N MALE	50 OHM
N FEMALE BULKHEAD	50 OHM
RG402/U	50 OHM

Standard Lengths	
-12	12"
-24	24"
-36	36"
-48	48"
-60	60"
-XXX	Custom Length in inches



 <p>8TH FLOOR, BUILDING 1, YONGFU SCIENCE AND TECHNOLOGY CENTER INDUSTRIAL PARK, NANZHA DISTRICT 5, HUMEN, 523900, DONGGUAN, GUANGDONG, CHINA</p> <p>WEBSITE: <a href="http://www.ebeestock.com">www.ebeestock.com</a> EMAIL: <a href="mailto:sales@ebeestock.com">sales@ebeestock.com</a> COAXIAL &amp; FIBER OPTICS</p>	
<p>DWG TITLE</p> <p><b>ET279+*</b></p>	<p>DES. CABLE ASSEMBLY, RG402/U, N MALE TO N FEMALE BULKHEAD</p>
<p>REV. A</p> <p>FSCM NO. 53919</p>	<p>CAD FILE 120708</p> <p>SCALE N/A</p> <p>SIZE A 127</p>

- NOTES:
1. UNLESS OTHERWISE SPECIFIED ALL DIMENSIONS ARE NOMINAL.
  2. ALL SPECIFICATIONS ARE SUBJECT TO CHANGE WITHOUT NOTICE AT ANY TIME.
  3. DIMENSIONS ARE IN INCHES.
  4. LENGTH TOLERANCE IS  $\pm 1.5\%$  OR  $\pm 3/8"$ , WHICHEVER IS GREATER.