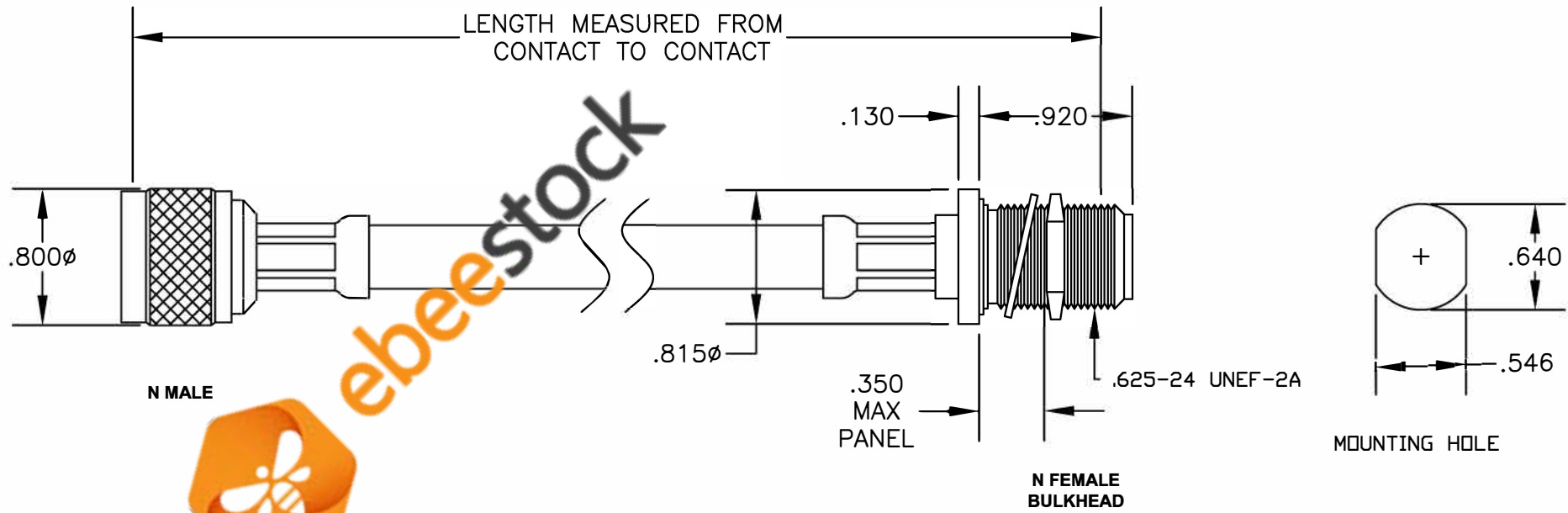


| COMPONENTS | IMPEDANCE |
|-------------------|-----------|
| N MALE | 50 OHM |
| N FEMALE BULKHEAD | 50 OHM |
| RG8A/U | 52 OHM |

| Standard Lengths | |
|------------------|-------------------------|
| -12 | 12" |
| -24 | 24" |
| -36 | 36" |
| -48 | 48" |
| -60 | 60" |
| -XXX | Custom Length in inches |



8TH FLOOR, BUILDING 1, YONGFU SCIENCE AND TECHNOLOGY
CENTER INDUSTRIAL PARK, NANZHA DISTRICT 5,
HUMEN, 523900, DONGGUAN, GUANGDONG, CHINA

WEBSITE: www.ebeestock.com
EMAIL: sales@ebeestock.com

COAXIAL & FIBER OPTICS

DWG TITLE
ET28205

DES. CABLE ASSEMBLY, RG8A/U, N MALE TO N
FEMALE BULKHEAD

| | | | | |
|--------|----------------|-----------------|-----------|-----|
| SIZE A | FSCM NO. 53919 | CAD FILE 060107 | SCALE N/A | 127 |
|--------|----------------|-----------------|-----------|-----|

NOTES:

1. UNLESS OTHERWISE SPECIFIED ALL DIMENSIONS ARE NOMINAL.
2. ALL SPECIFICATIONS ARE SUBJECT TO CHANGE WITHOUT NOTICE AT ANY TIME.
3. DIMENSIONS ARE IN INCHES.
4. LENGTH TOLERANCE IS ± 1.5% OR ±3/8", WHICHEVER IS GREATER.