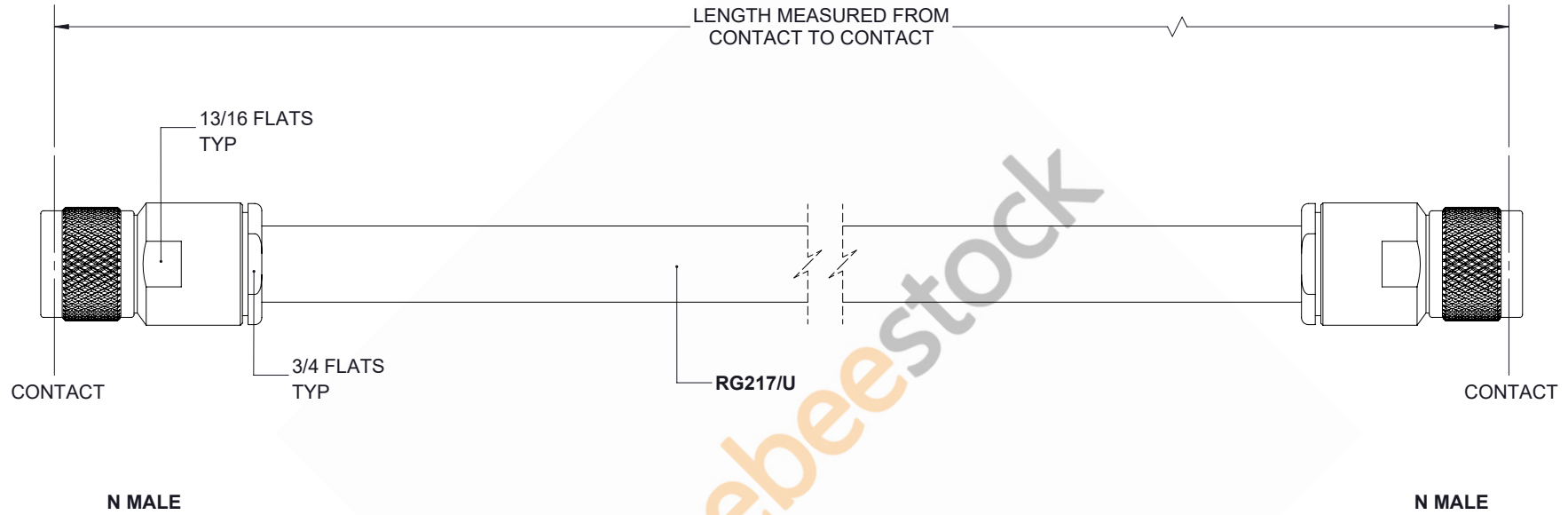

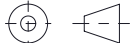


# N Male to N Male Cable 60 Inch Length Using RG217 Coax



UNLESS OTHERWISE SPECIFIED LEADING DIMENSIONS ARE INCHES DIMENSIONS IN [ ] ARE MILLIMETERS		 8TH FLOOR, BUILDING 1, YONGFU SCIENCE AND TECHNOLOGY CENTER INDUSTRIAL PARK, NANZHA DISTRICT 5, HUMEN, 523800, DONGGUAN, GUANGDONG, CHINA WEBSITE: <a href="http://www.ebeestock.com">www.ebeestock.com</a> EMAIL: <a href="mailto:sales@ebeestock.com">sales@ebeestock.com</a>		THE INFORMATION AND DESIGN IN THIS DOCUMENT IS THE PROPERTY OF EBEESTOCK. ALL RIGHTS RESERVED.	
<b>TOLERANCES:</b> .X $\pm$ .2 [ 5.08 ]      FRACTIONS .XX $\pm$ .01 [ .25 ] $\pm$ 1/32 .XXX $\pm$ .005 [ .13 ]      ANGLES $\pm$ 1°				SHEET 1 OF 1	
ALL DIMENSIONS SHOWN ARE FOR REFERENCE ONLY.		WEBSITE: <a href="http://www.ebeestock.com">www.ebeestock.com</a> EMAIL: <a href="mailto:sales@ebeestock.com">sales@ebeestock.com</a>		SCALE N/A	
THIRD-ANGLE PROJECTION 		SIZE A	CAGE 53919	DRAWN BY K.DANG	PART NUMBER ET28349
					REV 1.1

THESE COMMODITIES, TECHNOLOGY OR SOFTWARE WERE EXPORTED FROM THE UNITED STATES IN ACCORDANCE WITH THE EXPORT ADMINISTRATION REGULATIONS. DIVERSION CONTRARY TO U.S. LAW PROHIBITED.