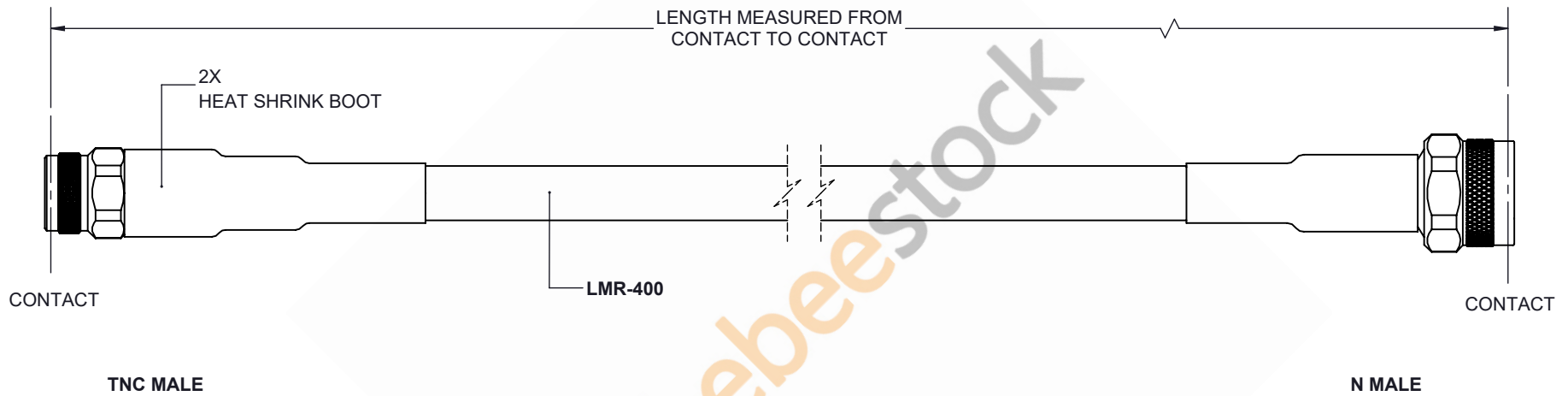


N Male to TNC Male Cable Using LMR-400 CoaxIn 36 Inch Length



THESE COMMODITIES, TECHNOLOGY OR SOFTWARE WERE EXPORTED FROM THE UNITED STATES IN ACCORDANCE WITH THE EXPORT ADMINISTRATION REGULATIONS. DIVERSION CONTRARY TO U.S. LAW PROHIBITED.

UNLESS OTHERWISE SPECIFIED
LEADING DIMENSIONS ARE INCHES
DIMENSIONS IN [] ARE MILLIMETERS

TOLERANCES:

| | | |
|--------------|--------|-------------|
| .X = ±.2 | [5.08] | FRACTIONS |
| .XX = ±.02 | [.51] | ± 1/32 |
| .XXX = ±.005 | [.13] | ANGLES ± 1° |

CABLE LENGTH (L) TOLERANCES:

| | | |
|----------------------|--------|-----------------|
| L ≤ 12 | [305] | = +1 [25] / -0 |
| 12 [305] < L ≤ 60 | [1524] | = +2 [51] / -0 |
| 60 [1524] < L ≤ 120 | [3048] | = +4 [102] / -0 |
| 120 [3048] < L ≤ 300 | [7620] | = +6 [152] / -0 |
| 300 [7620] < L | | = +5%L / -0 |

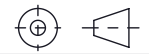
ALL DIMENSIONS SHOWN
ARE FOR REFERENCE ONLY.



8TH FLOOR, BUILDING 1,
YONGFU SCIENCE AND TECHNOLOGY
CENTER INDUSTRIAL PARK, NANZHA DISTRICT
5,HUMEN,523900,DONGGUAN, GUANGDONG, CHINA

WEBSITE: www.ebeestock.com
EMAIL: sales@ebeestock.com

THIRD-ANGLE PROJECTION



THE INFORMATION AND
DESIGN IN THIS DOCUMENT
IS THE PROPERTY OF
EBEESTOCK ALL RIGHTS
RESERVED.

SHEET 1 OF 1

SCALE N/A

| | | | | |
|------|-----------|----------|----------|-----|
| SIZE | CAGE CODE | DRAWN BY | ITEM NO. | REV |
| A | 53919 | K.DANG | ET28518 | A |