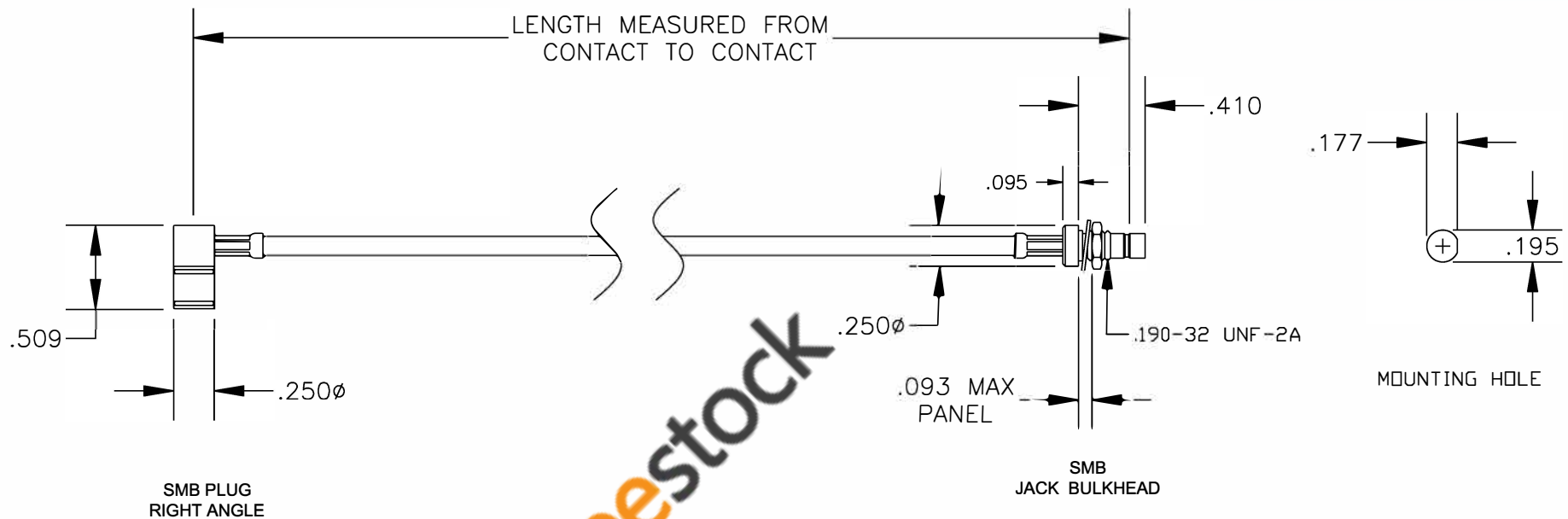


COMPONENTS	IMPEDANCE
SMB PLUG RIGHT ANGLE	50 OHM
SMB JACK BULKHEAD	50 OHM

Standard Lengths	
-12	12"
-24	24"
-36	36"
-48	48"
-60	60"
-XXX	Custom Length in inches



RoHS
Compliance
Certified

8TH FLOOR, BUILDING 1, YONGFU SCIENCE AND TECHNOLOGY CENTER INDUSTRIAL PARK, NANZHA DISTRICT 5, HUMEN, 523900, DONGGUAN, GUANGDONG, CHINA

ebeeStock

WEBSITE: www.ebeeStock.com
EMAIL: sales@ebeeStock.com

ET30325	DES. CABLE ASSEMBLY, RG174A/U, SMB PLUG RIGHT ANGLE TO SMB JACK BULKHEAD (LEAD FREE)
----------------	--

REV. A	FSCM NO. 53919	CAD FILE 012208	SCALE N/A	SIZE A 147
--------	----------------	-----------------	-----------	------------

- NOTES:
1. UNLESS OTHERWISE SPECIFIED ALL DIMENSIONS ARE NOMINAL.
 2. ALL SPECIFICATIONS ARE SUBJECT TO CHANGE WITHOUT NOTICE AT ANY TIME.
 3. DIMENSIONS ARE IN INCHES.
 4. LENGTH TOLERANCE IS $\pm 1.5\%$ OR $\pm 3/8"$, WHICHEVER IS GREATER.