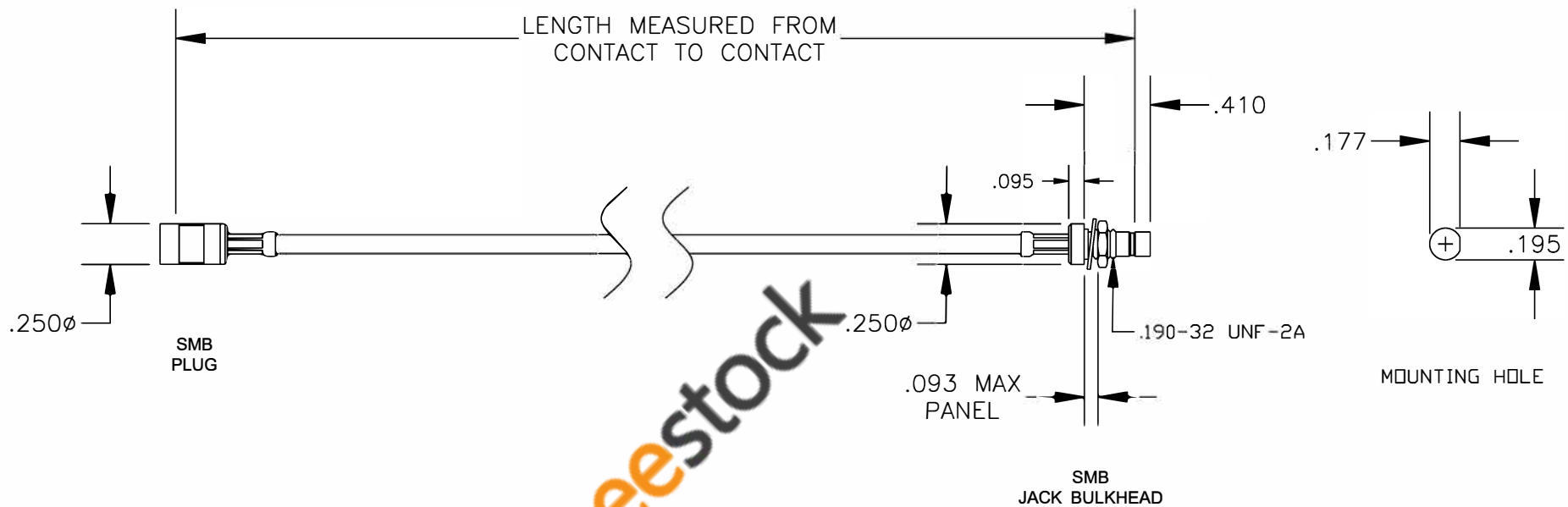



| COMPONENTS        | IMPEDANCE |
|-------------------|-----------|
| SMB PLUG          | 50 OHM    |
| SMB JACK BULKHEAD | 50 OHM    |
|                   |           |
|                   |           |

| Standard Lengths |                         |
|------------------|-------------------------|
| -12              | 12"                     |
| -24              | 24"                     |
| -36              | 36"                     |
| -48              | 48"                     |
| -60              | 60"                     |
| -XXX             | Custom Length in inches |
|                  |                         |



RoHS  
Compliance  
Certified

|   |                |  |
|---|----------------|--|
| <br><b>8TH FLOOR, BUILDING 1, YONGFU SCIENCE AND TECHNOLOGY CENTER INDUSTRIAL PARK, NANZHA DISTRICT 5, HUMEN, 523900, DONGGUAN, GUANGDONG, CHINA</b><br>WEBSITE: <a href="http://www.ebeestock.com">www.ebeestock.com</a><br>EMAIL: <a href="mailto:sales@ebeestock.com">sales@ebeestock.com</a> |                |  |
| <b>ET30478</b>  |                | DES. CABLE ASSEMBLY, RG174A/U, SMB PLUG TO SMB JACK BULKHEAD (LEAD FREE) |
| REV. A  | FSCM NO. 53919 | CAD FILE 012408 SCALE N/A SIZE A 147                                     |

- NOTES:**
1. UNLESS OTHERWISE SPECIFIED ALL DIMENSIONS ARE NOMINAL.
  2. ALL SPECIFICATIONS ARE SUBJECT TO CHANGE WITHOUT NOTICE AT ANY TIME.
  3. DIMENSIONS ARE IN INCHES.
  4. LENGTH TOLERANCE IS  $\pm 1.5\%$  OR  $\pm 3/8"$ , WHICHEVER IS GREATER.