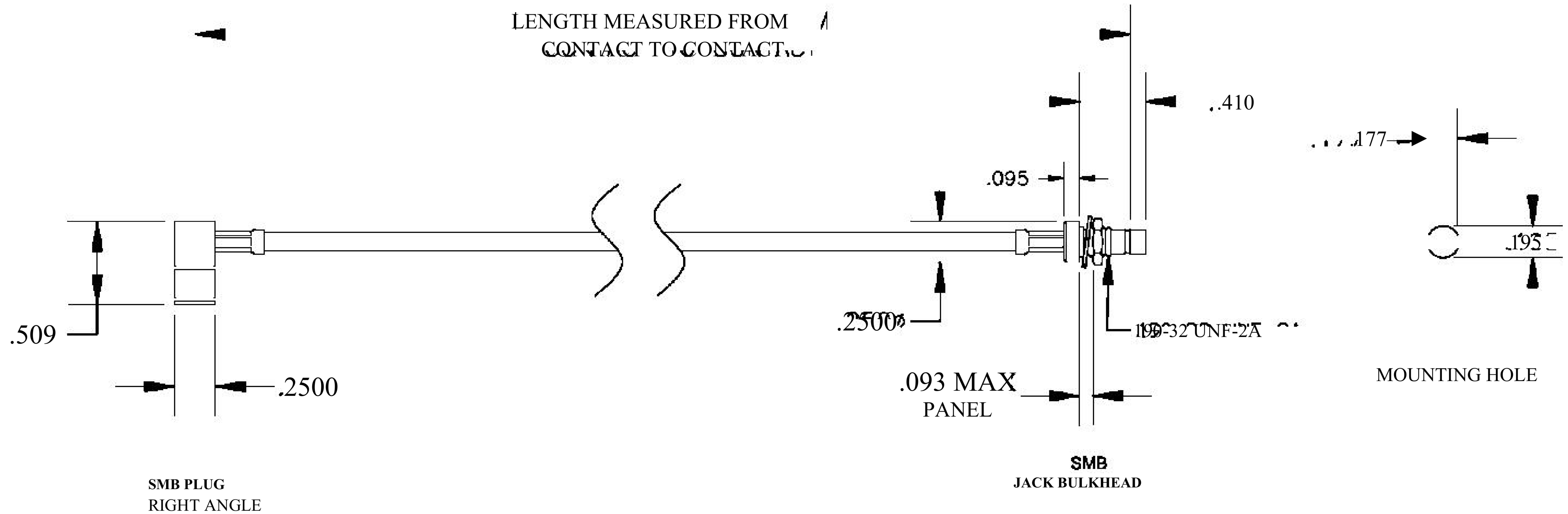


| COMPONENTS           | IMPEDANCE |
|----------------------|-----------|
| SMB PLUG RIGHT ANGLE | 50 OHM    |
| SMB JACK BULKHEAD    | 50 OHM    |
| RG188-DS             | 50 OHM    |

| Standard Lengths |                         |
|------------------|-------------------------|
| ■12              | 12"                     |
| -24              | 24"                     |
| -36              | 36"                     |
| ■48              | 48"                     |
| -60              | 60"                     |
| ■XXX             | Custom Length in inches |



8th Floor, Building 1, Yongfu Science and Technology Center Industrial Park, Nanzha District 5, Humen, 523900, Dongguan, Guangdong, China.

Website: [www.ebeestock.com](http://www.ebeestock.com)

Email: [sales@ebeestock.com](mailto:sales@ebeestock.com)

**COAXIAL & FIBER OPTICS**

|                      |  |
|----------------------|--|
| DWG TITLE<br>ET30631 | DES_<br>smb-plug-right-angle-to-smb-jack-bulkhead-cable-12-inch-length-using-rg188-ds-coax-0030630 |
|----------------------|--|

SIZE A | FSCM NO. 53919 | CAD FILE 073102 | SCALE N/A | 127

**NOTES:**

- UNLESS OTHERWISE SPECIFIED ALL DIMENSIONS ARE NOMINAL.
- ALL SPECIFICATIONS ARE SUBJECT TO CHANGE WITHOUT NOTICE AT ANY TIME.