

**COMPONENTS**

**SMB PLUG**  
**SMB JACK BULKHEAD -**  
**ET38383**

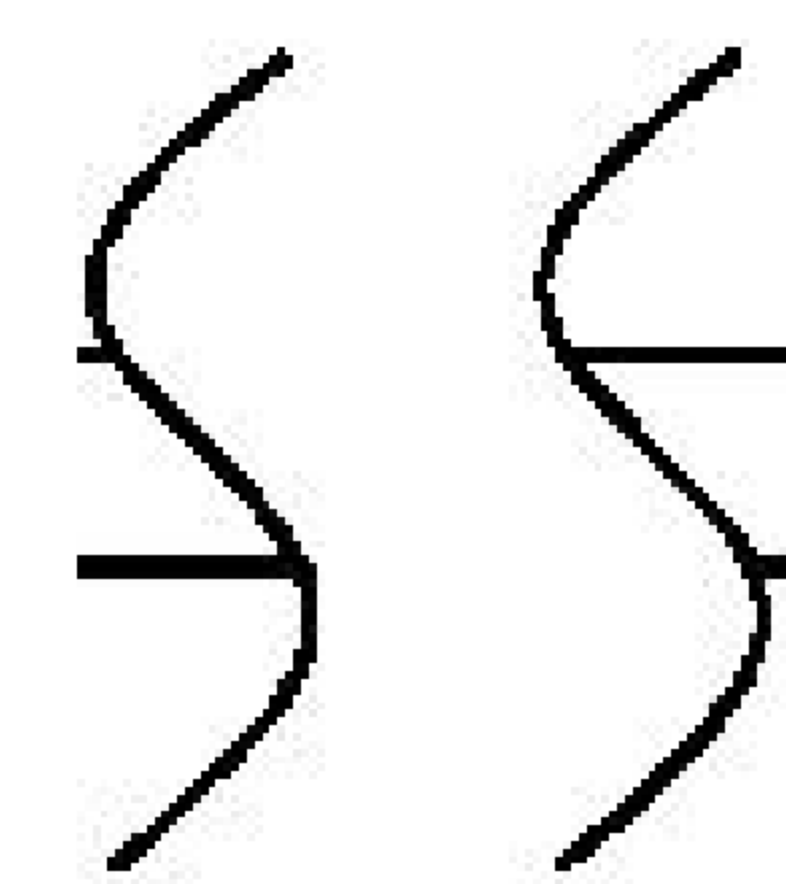
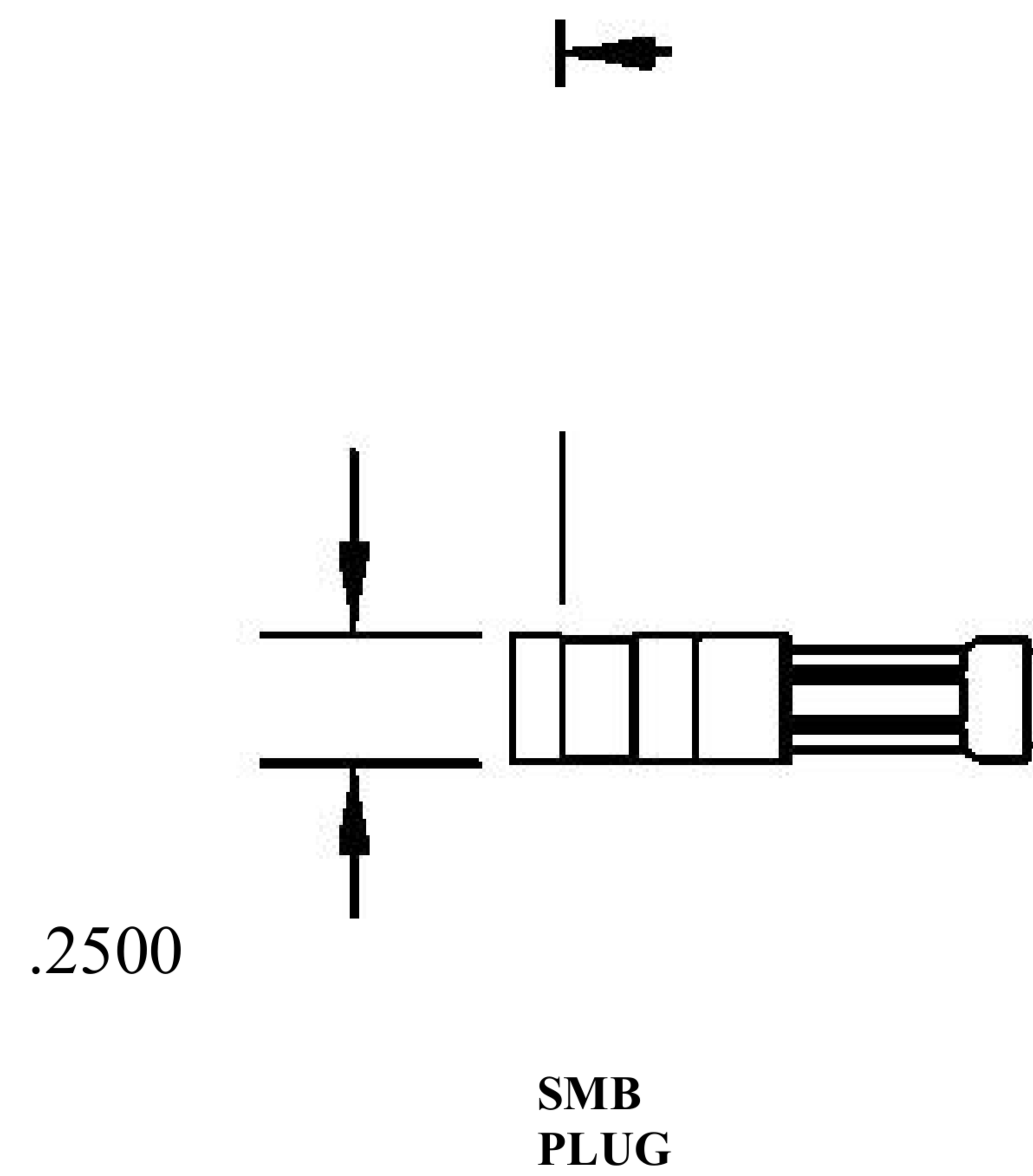
**IMPEDANCE**

**50 OHM ~**  
**50 OHM**  
**50 OHM**

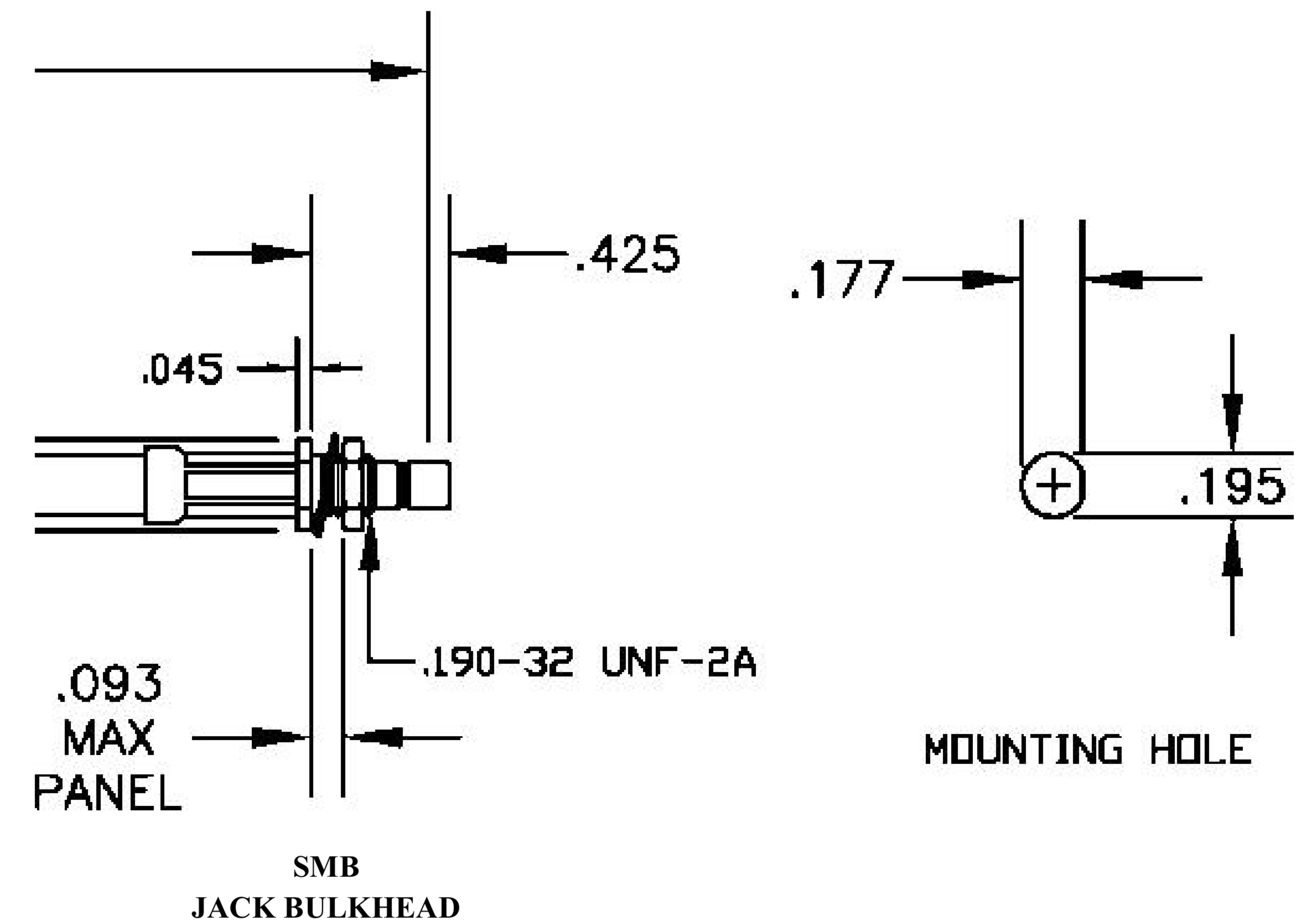
**Standard Lengths**

-12	12"
-24	24"
-36	36"
-48	48"
-60	60"
-XXX	Custom Length in inches

LENGTH MEASURED FROM CONTACT TO CONTACT



.250



8th Floor, Building 1, Yongfu Science and Technology Center Industrial Park, Nanzha District 5, Humen, 523900, Dongguan, Guangdong, China.

**Website:** [www.ebeestock.com](http://www.ebeestock.com)

**Email:** [sales@ebeestock.com](mailto:sales@ebeestock.com)

**COAXIAL & FIBER OPTICS**

DWG TITLE ET30771	DES_ smb-plug-to-smb-jack-bulkhead-cable-12-inch-length-using-rg223-coax-0030768
----------------------	---

SIZE A | **FSCM NO. 53919** | CAD FILE 073102 | SCALE N/A | 127

**NOTES:**

1. UNLESS OTHERWISE SPECIFIED ALL DIMENSIONS ARE NOMINAL.
2. ALL SPECIFICATIONS ARE SUBJECT TO CHANGE WITHOUT NOTICE AT ANY TIME.