

COMPONENTS

SMB PLUG
SMB JACK BULKHEAD -
ET38383

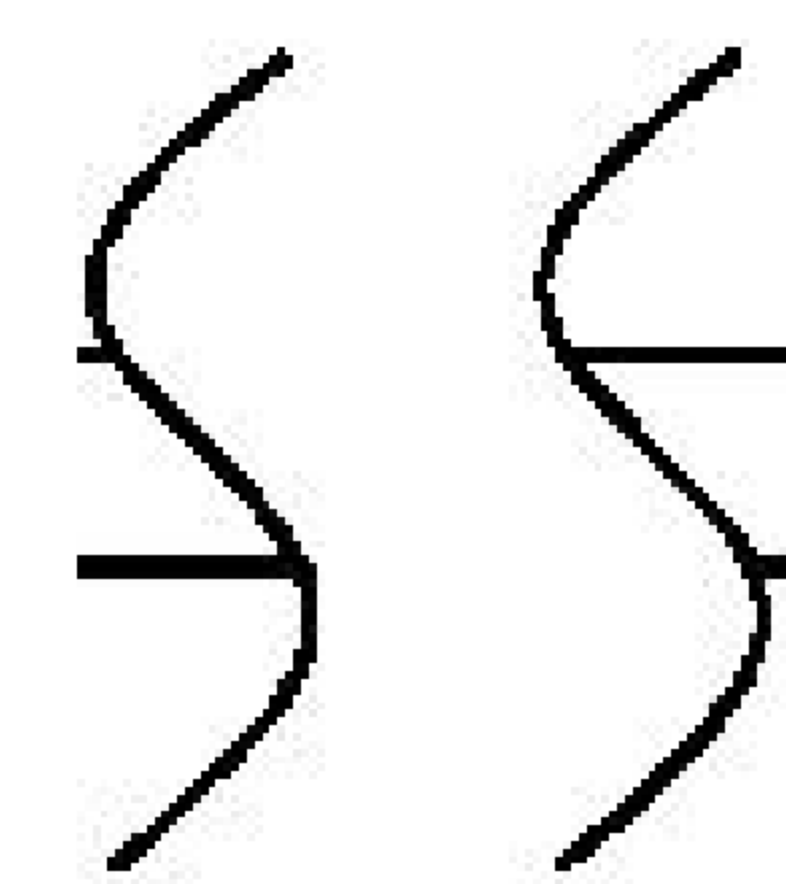
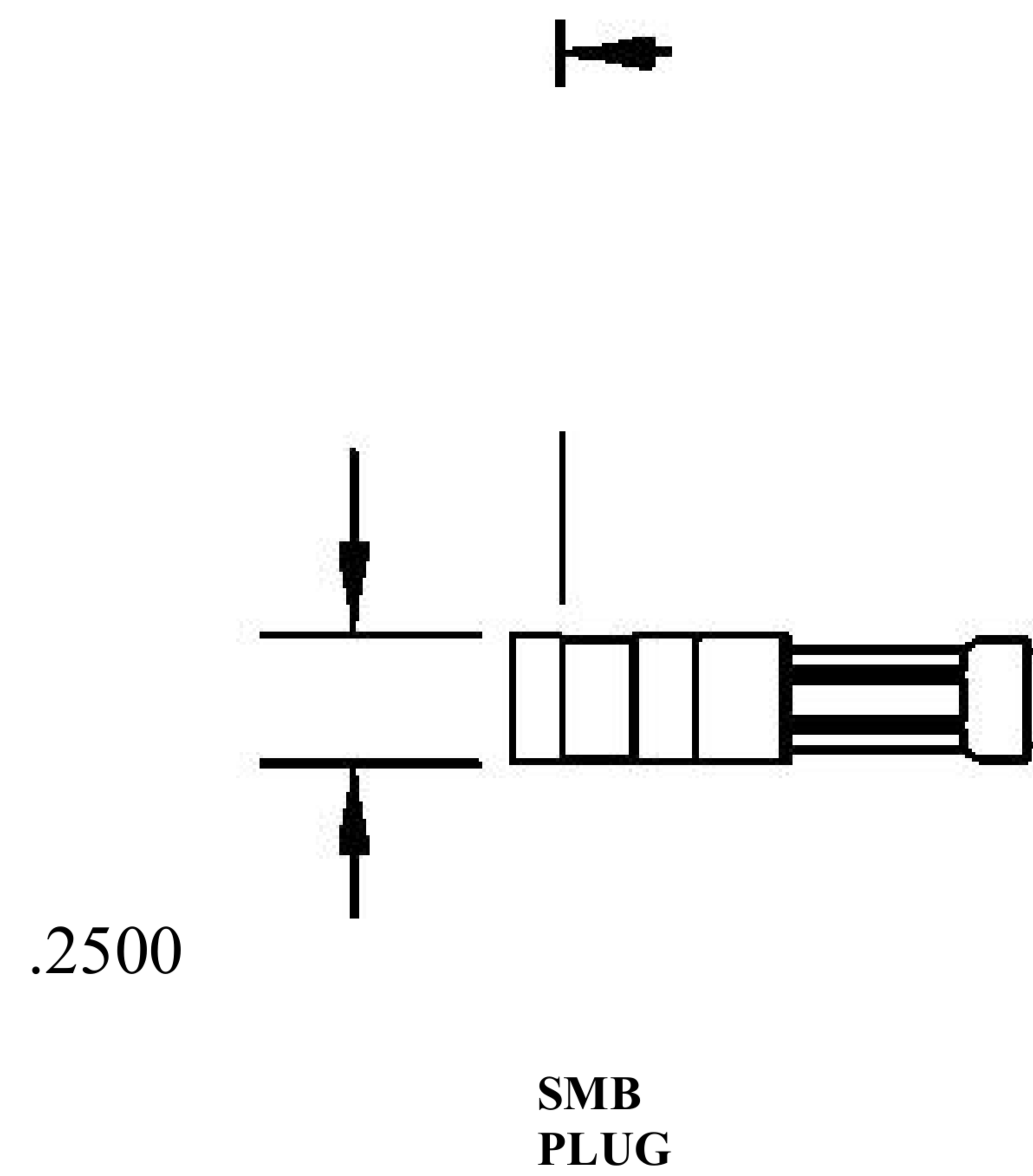
IMPEDANCE

50 OHM ~
50 OHM
50 OHM

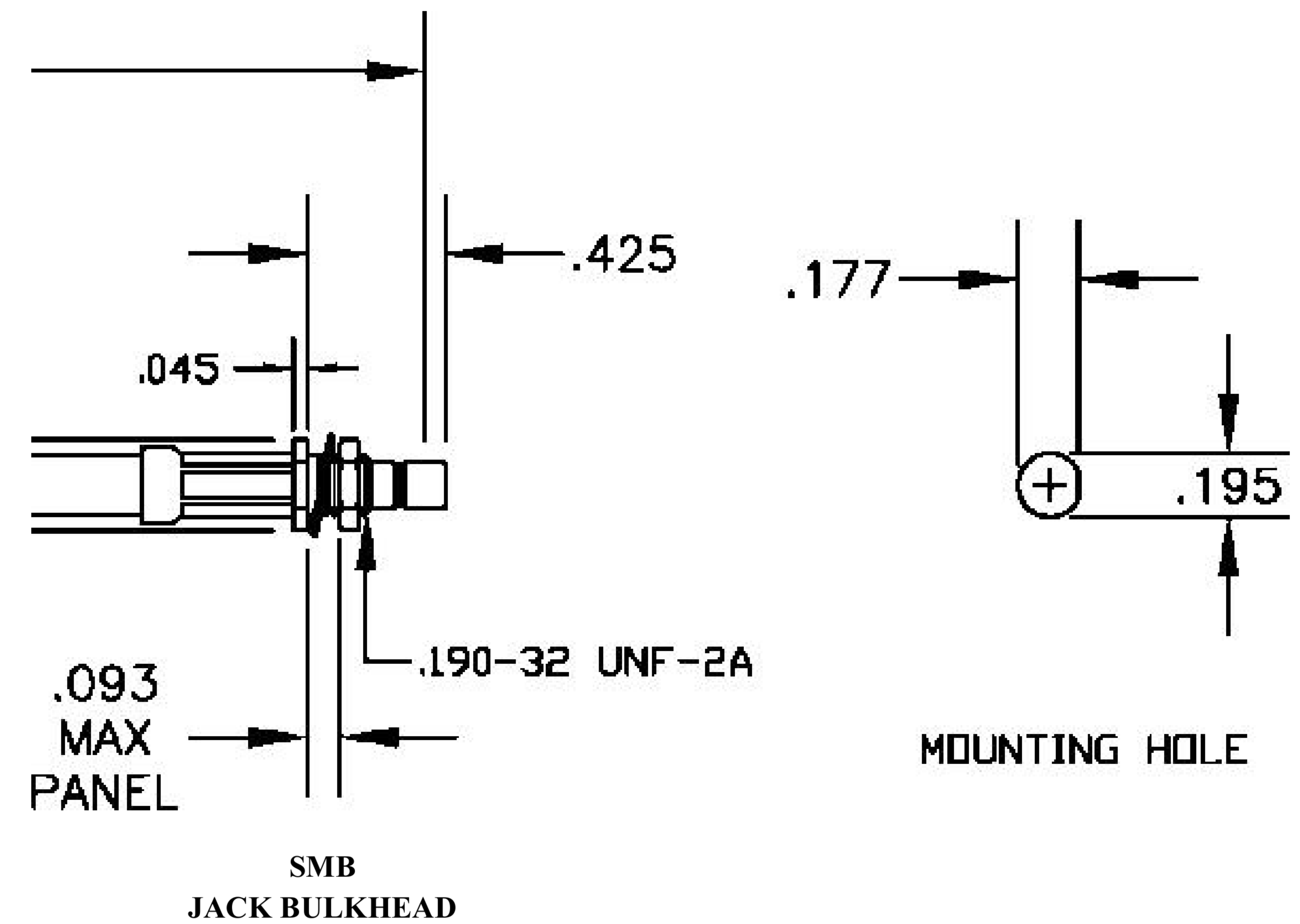
Standard Lengths

| | |
|------|-------------------------|
| -12 | 12" |
| -24 | 24" |
| -36 | 36" |
| -48 | 48" |
| -60 | 60" |
| -XXX | Custom Length in inches |
| | |

LENGTH MEASURED FROM CONTACT TO CONTACT



.250



8th Floor, Building 1, Yongfu Science and Technology Center Industrial Park, Nanzha District 5, Humen, 523900, Dongguan, Guangdong, China.

Website: www.ebeestock.com

Email: sales@ebeestock.com

COAXIAL & FIBER OPTICS

| | | | |
|-----------|---------|------|---|
| DWG TITLE | ET30772 | DES_ | smb-plug-to-smb-jack-bulkhead-cable-12-inch-length-using-rg223-coax-0030768 |
|-----------|---------|------|---|

SIZE A | **FSCM NO. 53919** | CAD FILE 073102 | SCALE N/A | 127

NOTES:

- UNLESS OTHERWISE SPECIFIED ALL DIMENSIONS ARE NOMINAL.
- ALL SPECIFICATIONS ARE SUBJECT TO CHANGE WITHOUT NOTICE AT ANY TIME.