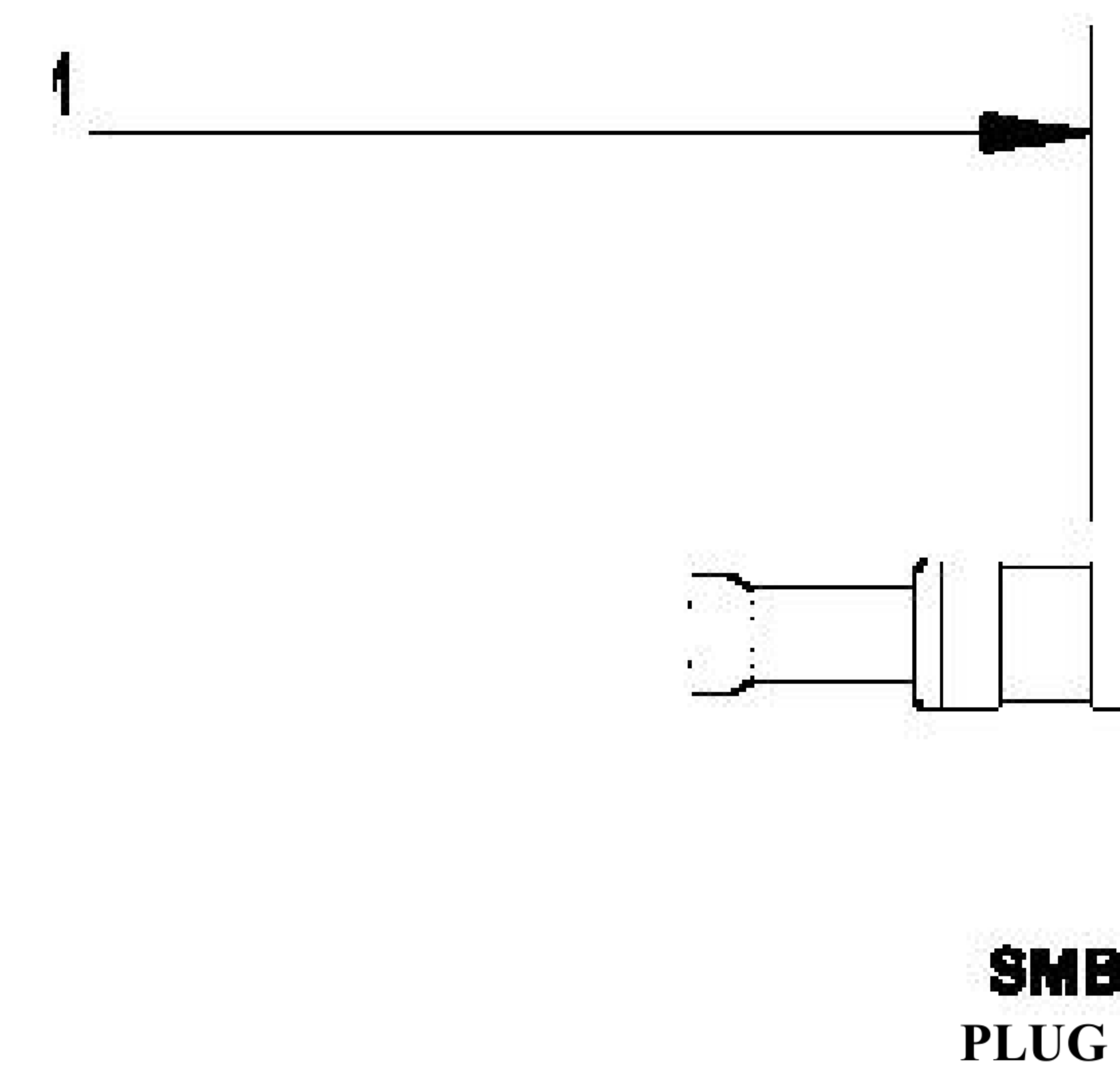
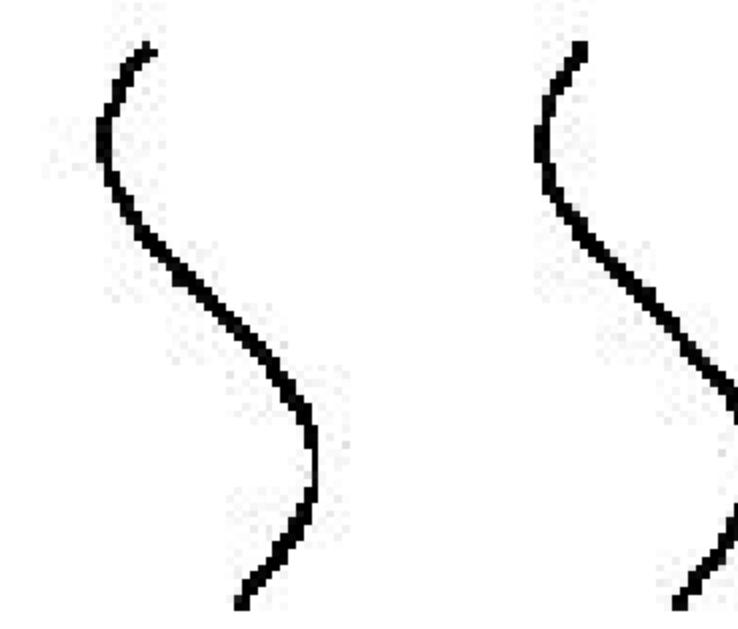
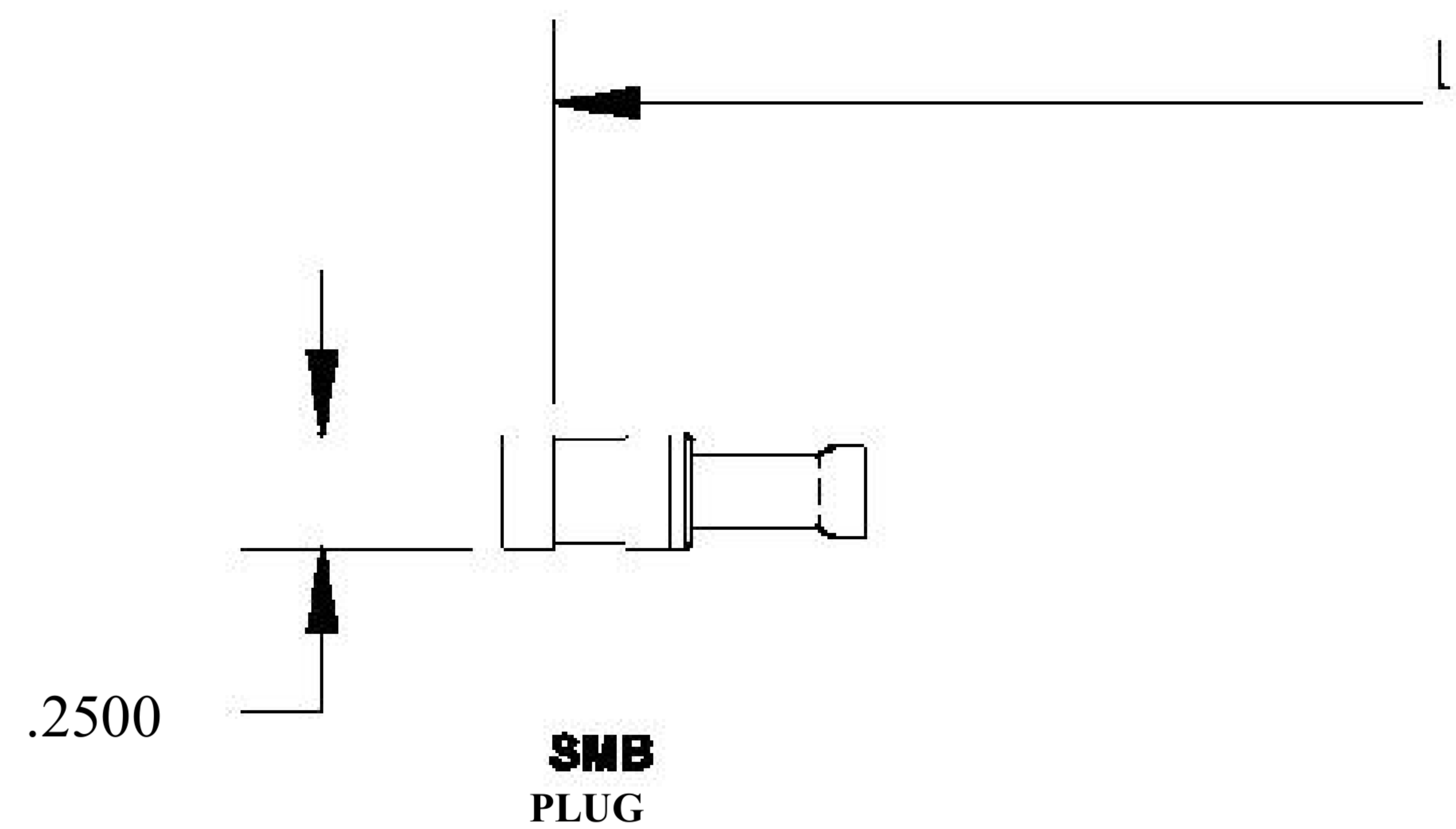


COMPONENTS	
SMB PLUG	50 OHM
SMB PLUG	50 OHM
RG174A/U	50 OHM

Standard Lengths	
-12	12-
-24	24"
-36	36"
■48	48"
-60	60 ^M
-XXX	Custom Length in inches



LENGTH MEASURED FROM



8th Floor, Building 1, Yongfu Science and Technology Center Industrial Park, Nanzha District 5, Humen, 523900, Dongguan, Guangdong, China.

Website: www.ebeestock.com

Email: sales@ebeestock.com

COAXIAL & FIBER OPTICS

DWG TITLE	ET30895	DES_	smb-plug-to-smb-plug-cable-12-inch-length-using-rg174-coax-rohs-0030894
-----------	---------	------	---

SIZE A | **FSCM NO. 53919** | CAD FILE 073102 | SCALE N/A | 127

NOTES:

1. UNLESS OTHERWISE SPECIFIED ALL DIMENSIONS ARE NOMINAL.
2. ALL SPECIFICATIONS ARE SUBJECT TO CHANGE WITHOUT NOTICE AT ANY TIME.

RoHS
Compliance
Certified