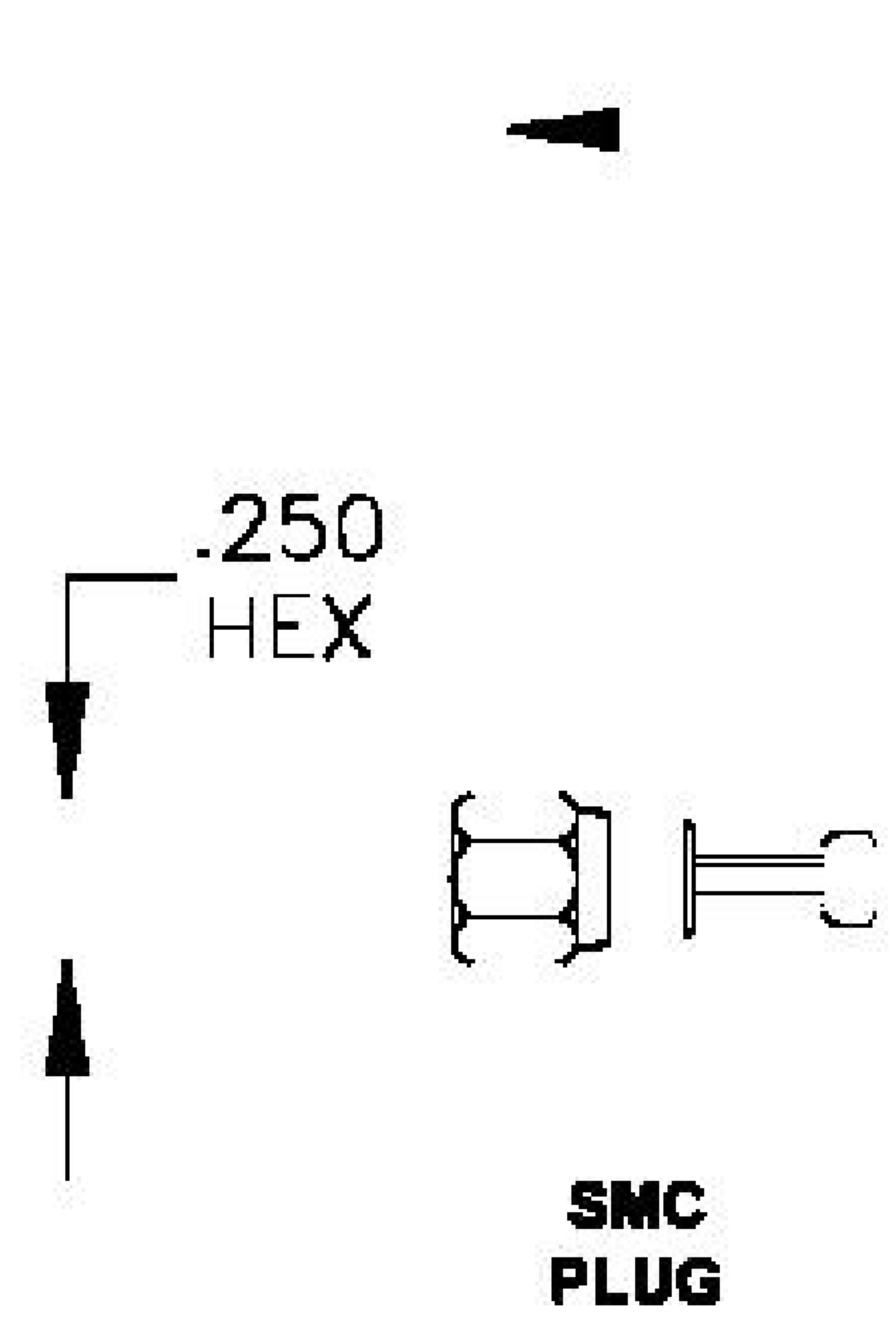
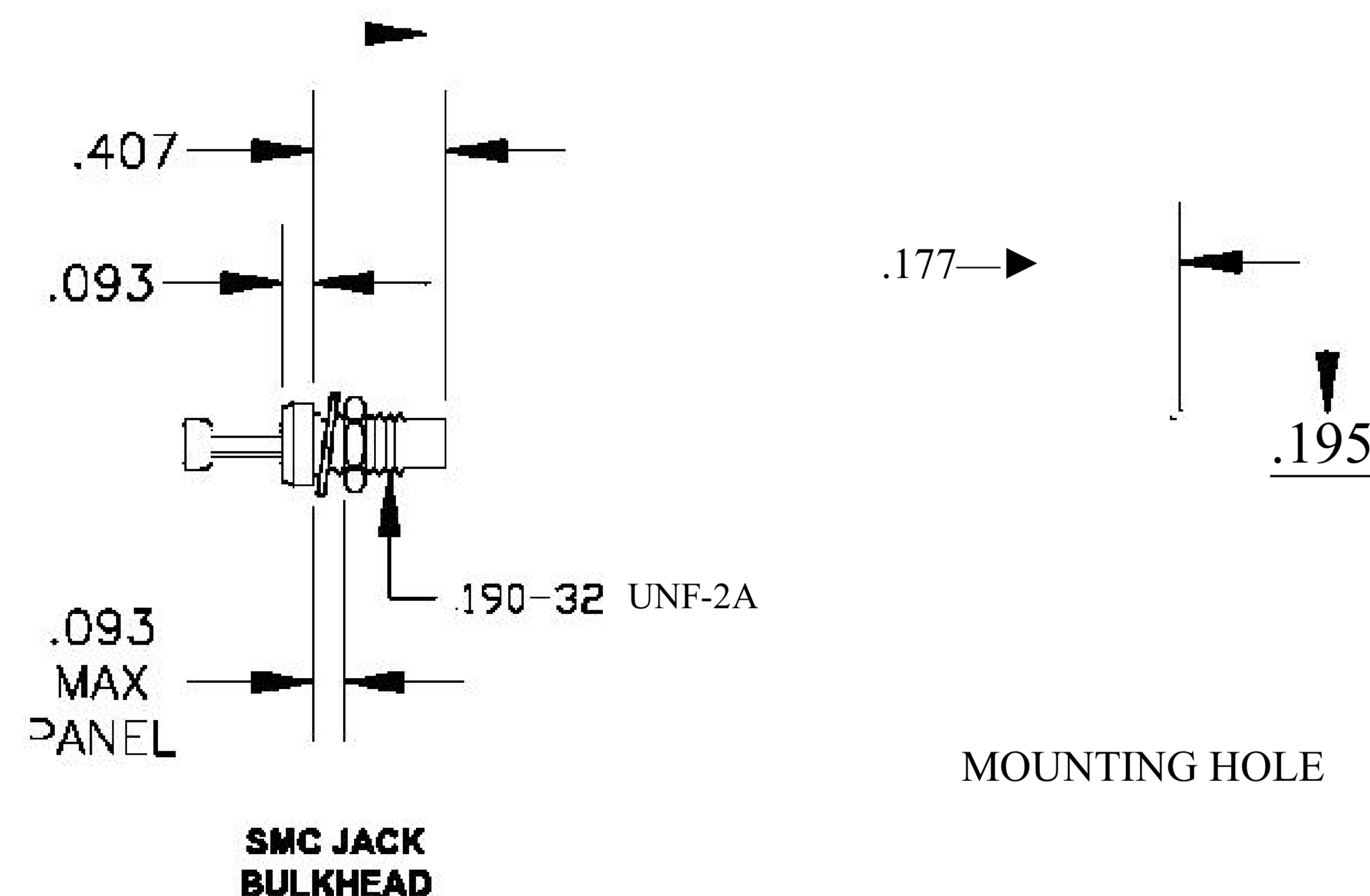
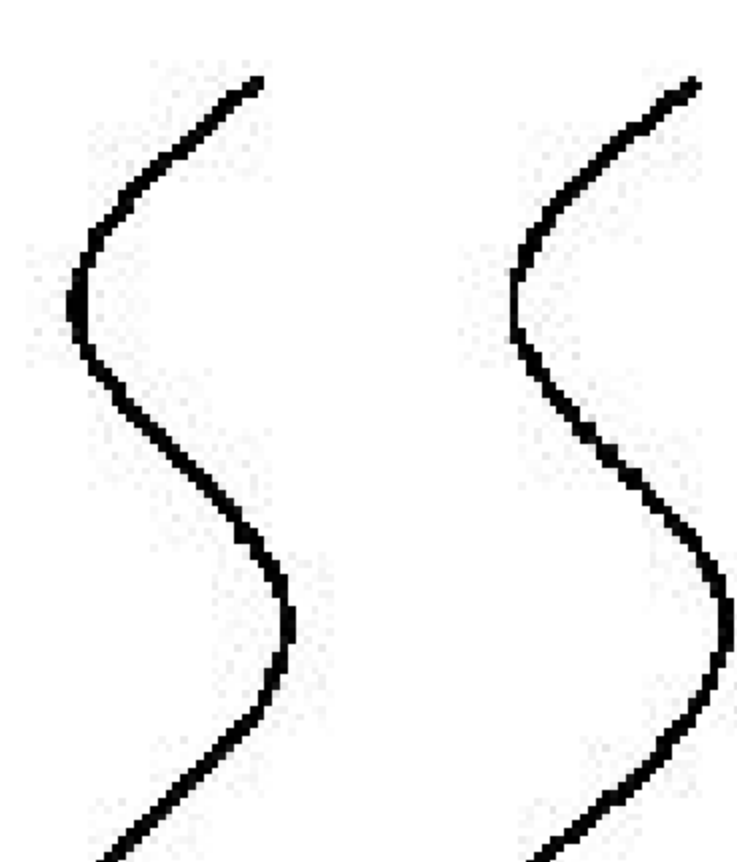


COMPONENTS	IMPEDANCE
SMC PLUG	50 OHM
SMC JACK BULKHEAD	50 OHM
RG174A/U	50 OHM

Standard Lengths	
■12	12"
-24	24 ^H
-36	36"
■48	48"
-60	60"
■XXX	Custom Length in inches



LENGTH MEASURED FROM
CONTACT TO CONTACT



8th Floor, Building 1, Yongfu Science and Technology
Center Industrial Park, Nanzha District 5, Humen, 523900,
Dongguan, Guangdong, China.

Website: www.ebeestock.com

Email: sales@ebeestock.com

COAXIAL & FIBER OPTICS

DWG TITLE	ET31323	DES_	smc-plug-to-smc-jack-bulkhead-cable-12-inch-length-using-rg174-coax-00 31320
-----------	---------	------	---------------------------------------------------------------------------------

SIZE A | FSCM NO. 53919 | CAD FILE 073102 | SCALE N/A | 127

NOTES:

1. UNLESS OTHERWISE SPECIFIED ALL DIMENSIONS ARE NOMINAL.
2. ALL SPECIFICATIONS ARE SUBJECT TO CHANGE WITHOUT NOTICE AT ANY TIME.