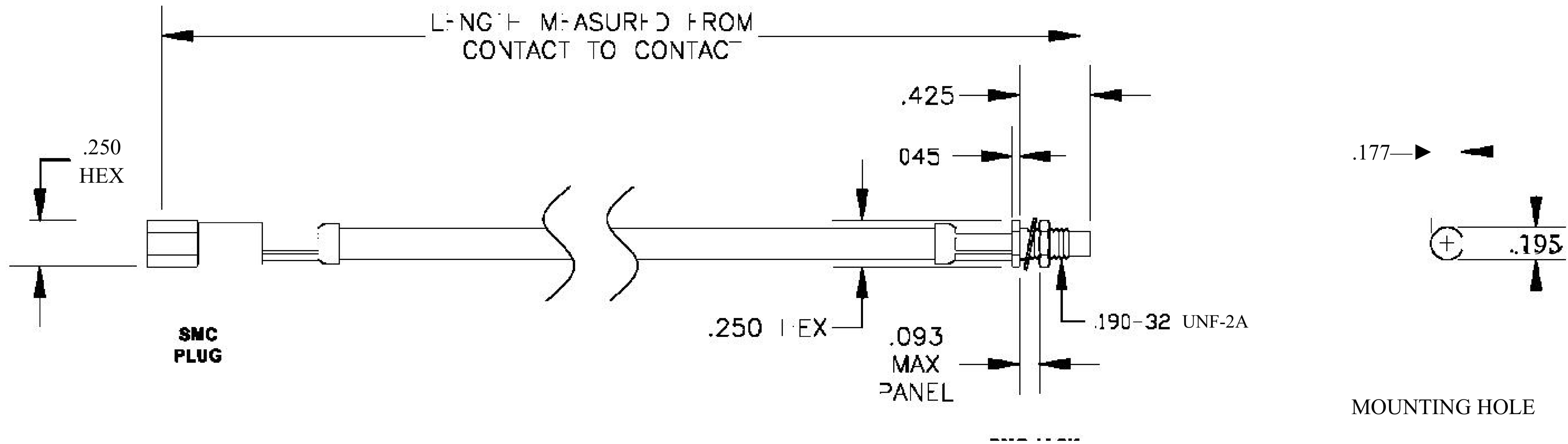


COMPONENTS	IMPEDANCE
SMC PLUG	50 OHM
SMC JACK BULKHEAD	50 OHM
RG58C/U	50 OHM

Standard Lengths	
■12	12"
-24	24"
-36	36"
■48	48"
-60	60"
■XXX	Custom Length in inches



8th Floor, Building 1, Yongfu Science and Technology Center Industrial Park, Nanzha District 5, Humen, 523900, Dongguan, Guangdong, China.

Website: [www.ebeestock.com](http://www.ebeestock.com)

Email: [sales@ebeestock.com](mailto:sales@ebeestock.com)

### COAXIAL & FIBER OPTICS

DWG TITLE	ET31561	DES_	smc-plug-to-smc-jack-bulkhead-cable-12-inch-length-using-rg58-coax-0031560
-----------	---------	------	--

SIZE A | FSCM NO. 53919 | CAD FILE 073102 | SCALE N/A | 127

#### NOTES:

- UNLESS OTHERWISE SPECIFIED ALL DIMENSIONS ARE NOMINAL.
- ALL SPECIFICATIONS ARE SUBJECT TO CHANGE WITHOUT NOTICE AT ANY TIME.