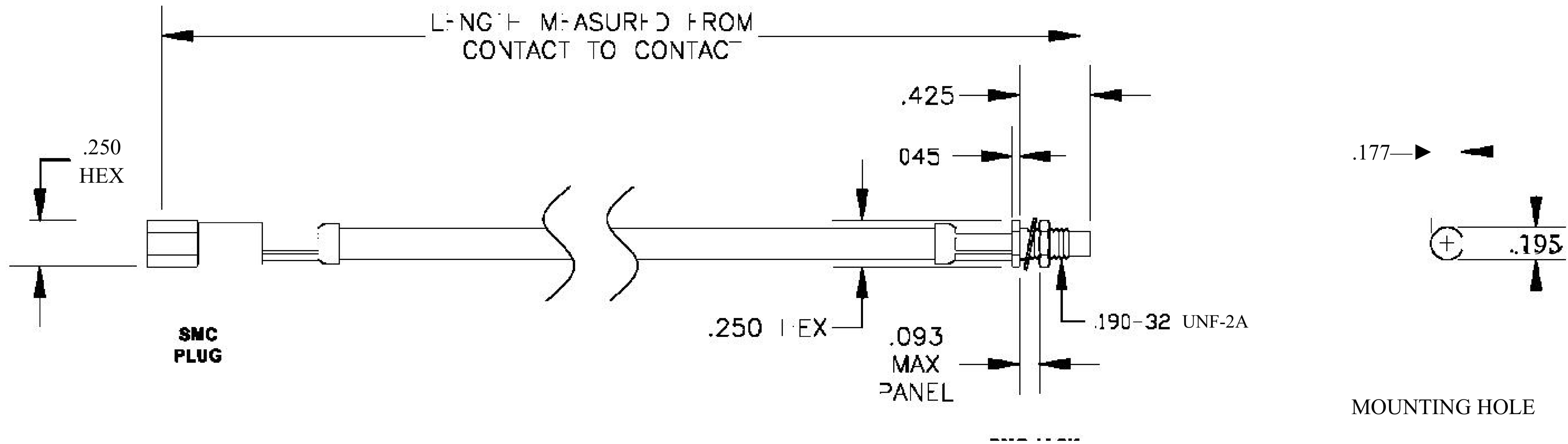


| COMPONENTS | IMPEDANCE |
|-------------------|-----------|
| SMC PLUG | 50 OHM |
| SMC JACK BULKHEAD | 50 OHM |
| RG58C/U | 50 OHM |

| Standard Lengths | |
|------------------|-------------------------|
| ■12 | 12" |
| -24 | 24" |
| -36 | 36" |
| ■48 | 48" |
| -60 | 60" |
| ■XXX | Custom Length in inches |



8th Floor, Building 1, Yongfu Science and Technology Center Industrial Park, Nanzha District 5, Humen, 523900, Dongguan, Guangdong, China.

Website: www.ebeestock.com

Email: sales@ebeestock.com

COAXIAL & FIBER OPTICS

| | | | |
|-----------|---------|------|--|
| DWG TITLE | ET31564 | DES_ | smc-plug-to-smc-jack-bulkhead-cable-12-inch-length-using-rg58-coax-0031560 |
|-----------|---------|------|--|

SIZE A | FSCM NO. 53919 | CAD FILE 073102 | SCALE N/A | 127

NOTES:

- UNLESS OTHERWISE SPECIFIED ALL DIMENSIONS ARE NOMINAL.
- ALL SPECIFICATIONS ARE SUBJECT TO CHANGE WITHOUT NOTICE AT ANY TIME.