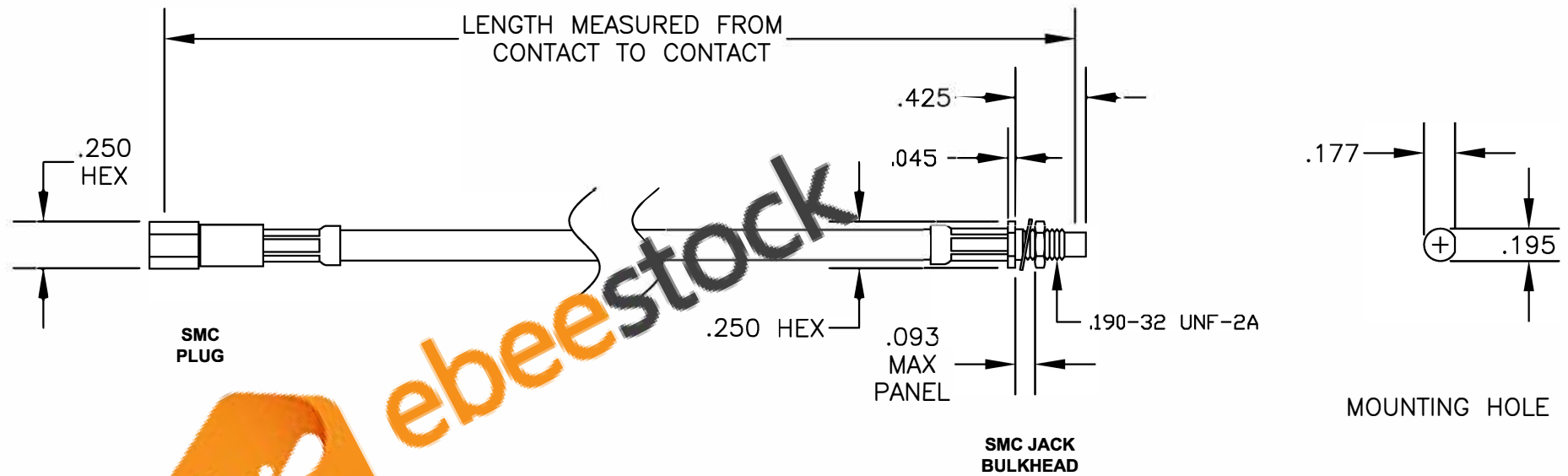



| COMPONENTS | IMPEDANCE |
|-------------------|-----------|
| SMC PLUG | 50 OHM |
| SMC JACK BULKHEAD | 50 OHM |
| RG142B/U | 50 OHM |

| Standard Lengths | |
|------------------|-------------------------|
| -12 | 12" |
| -24 | 24" |
| -36 | 36" |
| -48 | 48" |
| -60 | 60" |
| -XXX | Custom Length in inches |




8TH FLOOR, BUILDING 1, YONGFU SCIENCE AND TECHNOLOGY CENTER INDUSTRIAL PARK, NANZHA DISTRICT 5, HUMEN, 523900, DONGGUAN, GUANGDONG, CHINA
 WEBSITE: www.ebeeestock.com
 EMAIL: sales@ebeeestock.com

| | |
|-----------------|--|
| ET31574 | DES. CABLE ASSEMBLY, RG142B/U, SMC PLUG TO SMC JACK BULKHEAD |
| CAD FILE 030107 | SCALE N/A |
| | 127 |

1. UNLESS OTHERWISE SPECIFIED ALL DIMENSIONS ARE NOMINAL.
2. ALL SPECIFICATIONS ARE SUBJECT TO CHANGE WITHOUT NOTICE AT ANY TIME.
3. DIMENSIONS ARE IN INCHES.
4. LENGTH TOLERANCE IS $\pm 1.5\%$ OR $\pm 3/8"$, WHICHEVER IS GREATER.