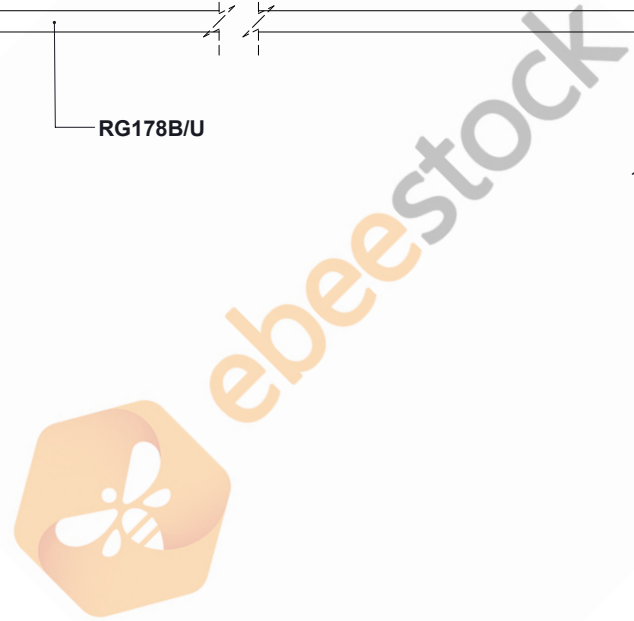
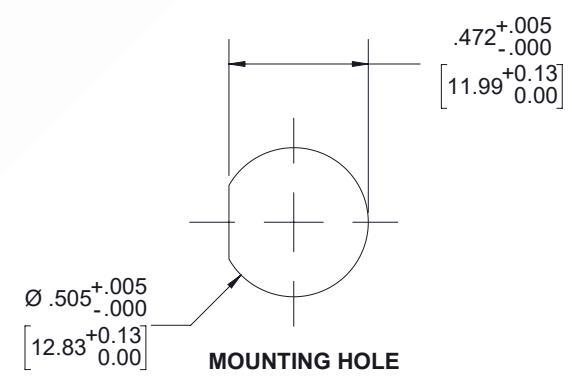
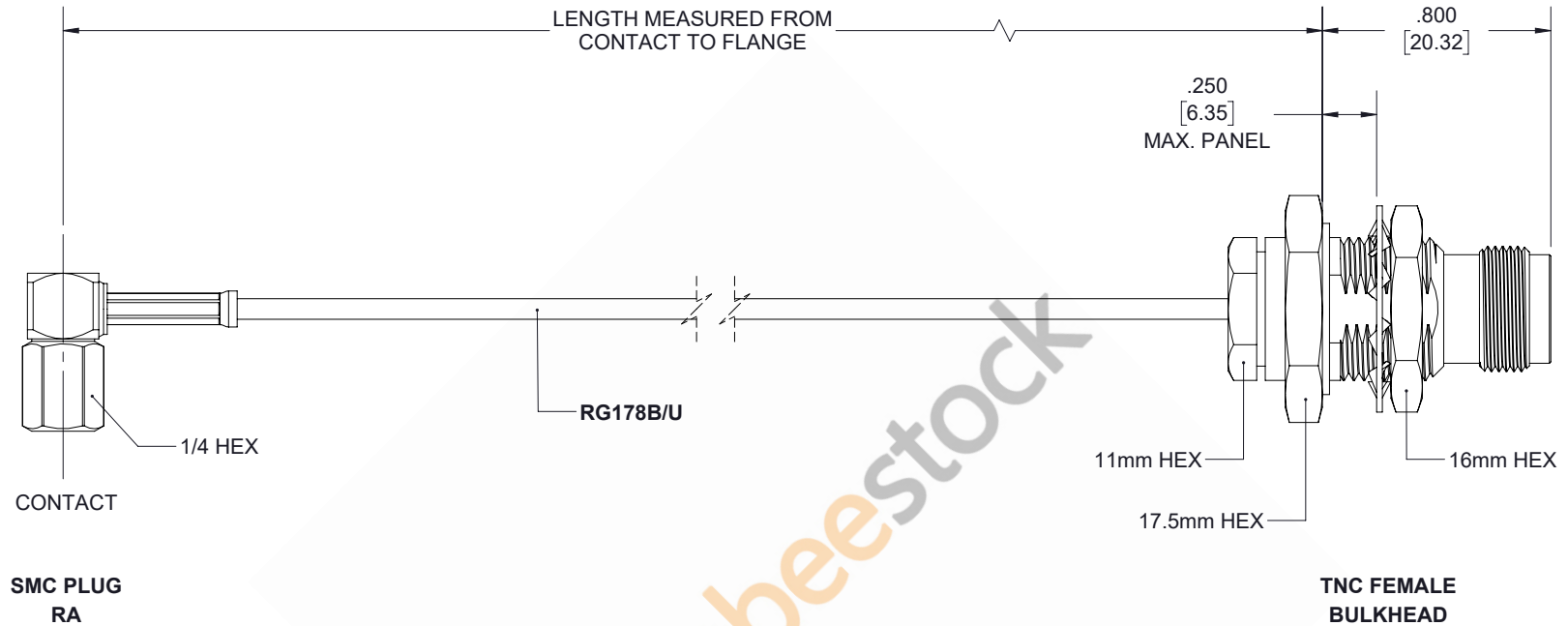


SMC Plug Right Angle to TNC Female Bulkhead Cable 36 Inch Length Using RG178 Coax

| REVISIONS | | | |
|-----------|-----------------|----------|----------|
| REV. | DESCRIPTION | DATE | APPROVED |
| A | INITIAL RELEASE | 04/23/19 | S.ELLIS |



THESE COMMODITIES, TECHNOLOGY OR SOFTWARE WERE EXPORTED FROM THE UNITED STATES IN ACCORDANCE WITH THE EXPORT ADMINISTRATION REGULATIONS. DIVERSION CONTRARY TO U.S. LAW PROHIBITED.

| | | | | | |
|---|--|--|------------|---|---------------------|
| UNLESS OTHERWISE SPECIFIED LEADING DIMENSIONS ARE INCHES DIMENSIONS IN [] ARE MILLIMETERS | |  <p>8TH FLOOR, BUILDING 1, YONGFU SCIENCE AND TECHNOLOGY CENTER INDUSTRIAL PARK, NANZHA DISTRICT 5, HUMEN, 523900, DONGGUAN, GUANGDONG, CHINA</p> WEBSITE: www.ebeestock.com EMAIL: sales@ebeestock.com | | THE INFORMATION AND DESIGN IN THIS DOCUMENT IS THE PROPERTY OF 00000000 CORPORATION. ALL RIGHTS RESERVED. | |
| TOLERANCES: .X=± .2 [5.08] FRACTIONS ± 1/32 .XX=± .01 [.25] ANGLES ± 1° .XXX=± .005 [.13] | | | | SHEET 1 OF 1 | |
| ALL DIMENSIONS SHOWN ARE FOR REFERENCE ONLY. | | SCALE N/A | | | |
| THIRD-ANGLE PROJECTION | | SIZE A | CAGE 53919 | DRAWN BY K.DANG | PART NUMBER 0V-F111 |
|  | | | | REV A | |