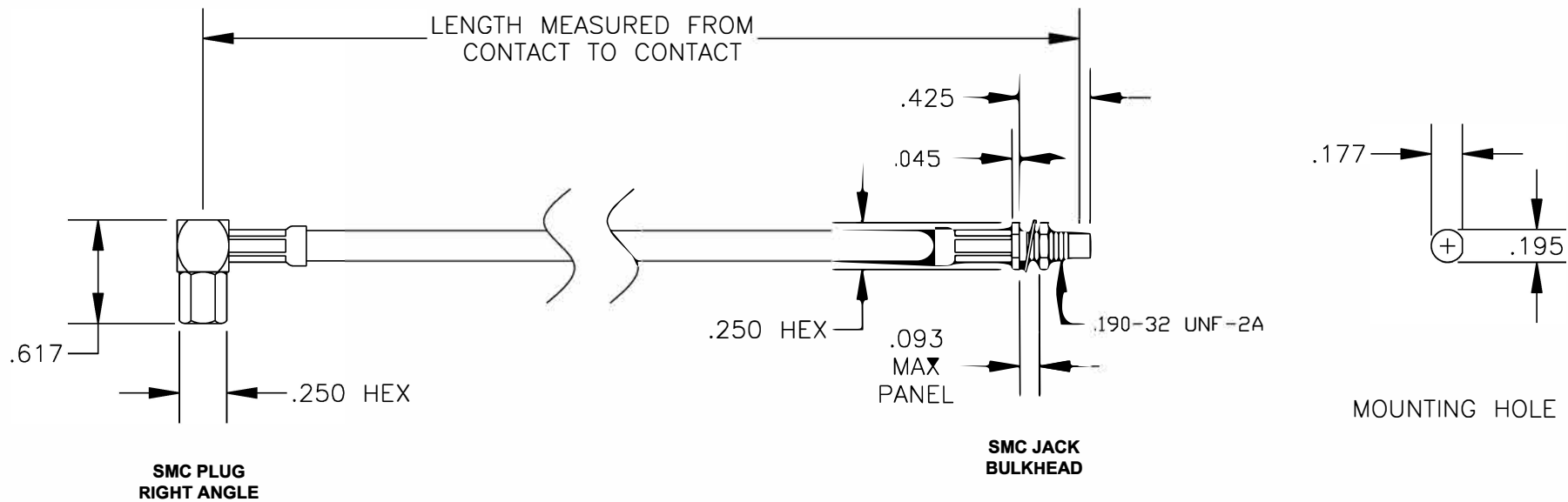


| COMPONENTS | IMPEDANCE |
|----------------------|-----------|
| SMC PLUG RIGHT ANGLE | 50 OHM |
| SMC JACK BULKHEAD | 50 OHM |
| RG58C/U | 50 OHM |

| Standard Lengths | |
|------------------|-------------------------|
| -12 | 12" |
| -24 | 24" |
| -36 | 36" |
| -48 | 48" |
| -60 | 60" |
| -XXX | Custom Length in inches |




8TH FLOOR, BUILDING 1, YONGFU SCIENCE AND TECHNOLOGY CENTER INDUSTRIAL PARK, NANZHA DISTRICT 5, HUMEN, 523900, DONGGUAN, GUANGDONG, CHINA
 WEBSITE: www.ebeestock.com
 EMAIL: sales@ebeestock.com

| | |
|----------------|---|
| ET32060 | DES. CABLE ASSEMBLY, RG58C/U, SMC PLUG RIGHT ANGLE TO SMC JACK BULKHEAD |
|----------------|---|

| | | | | | |
|--------|----------------|-----------------|-----------|--------|-----|
| REV. A | FSCM NO. 53919 | CAD FILE 020408 | SCALE N/A | SIZE A | 147 |
|--------|----------------|-----------------|-----------|--------|-----|

- NOTES:**
- UNLESS OTHERWISE SPECIFIED ALL DIMENSIONS ARE NOMINAL.
 - ALL SPECIFICATIONS ARE SUBJECT TO CHANGE WITHOUT NOTICE AT ANY TIME.
 - DIMENSIONS ARE IN INCHES.
 - LENGTH TOLERANCE IS $\pm 1.5\%$ OR $\pm 3/8"$, WHICHEVER IS GREATER.