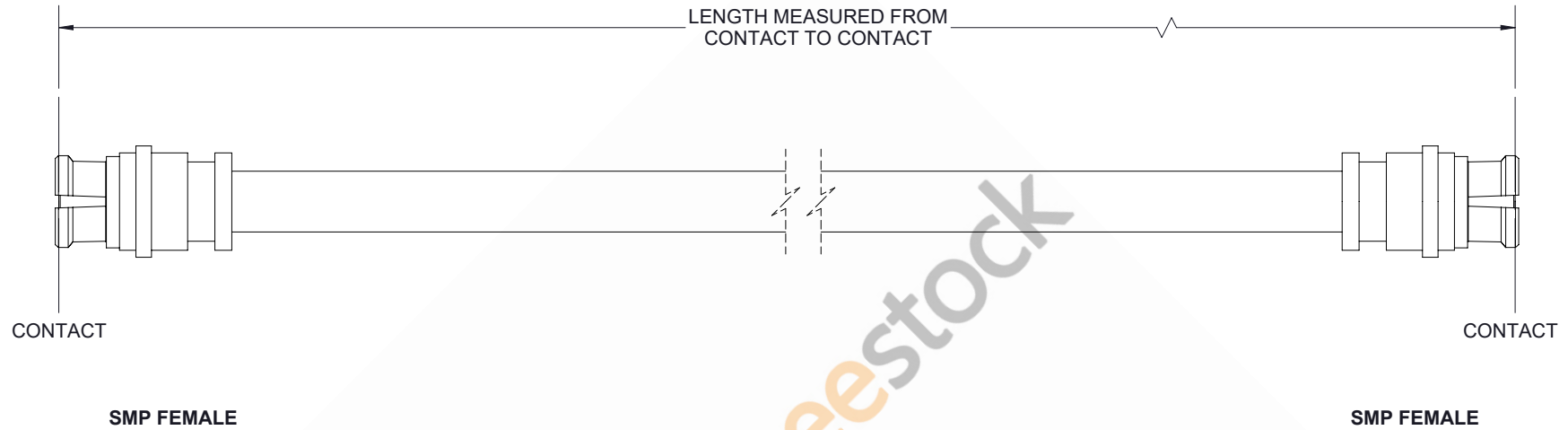


Push-On SMP Female to Push-On SMP Female Cable 12 Inch Length Using Coax

REVISIONS			
REV.	DESCRIPTION	DATE	APPROVED
A	INITIAL RELEASE	04/30/19	S.ELLIS



ebeestock

THESE COMMODITIES, TECHNOLOGY OR SOFTWARE WERE EXPORTED FROM THE UNITED STATES IN ACCORDANCE WITH THE EXPORT ADMINISTRATION REGULATIONS. DIVERSION CONTRARY TO U.S. LAW PROHIBITED.

UNLESS OTHERWISE SPECIFIED LEADING DIMENSIONS ARE INCHES DIMENSIONS IN [] ARE MILLIMETERS TOLERANCES: .X \pm .2 [5.08] FRACTIONS \pm 1/32 .XX \pm .01 [.25] \pm 1/32 .XXX \pm .005 [.13] ANGLES \pm 1° ALL DIMENSIONS SHOWN ARE FOR REFERENCE ONLY. THIRD-ANGLE PROJECTION		 8TH FLOOR, BUILDING 1, YONGFU SCIENCE AND TECHNOLOGY CENTER INDUSTRIAL PARK, NANZHA DISTRICT 5, HUMEN, 523900, DONGGUAN, GUANGDONG, CHINA WEBSITE: www.ebeestock.com EMAIL: sales@ebeestock.com		THE INFORMATION AND DESIGN IN THIS DOCUMENT IS THE PROPERTY OF EBEESTOCK CORPORATION ALL RIGHTS RESERVED. SHEET 1 OF 1 SCALE N/A	
SIZE	CAGE	DRAWN BY	PART NUMBER	REV	
A	53919	K.DANG	ET32321	A	

