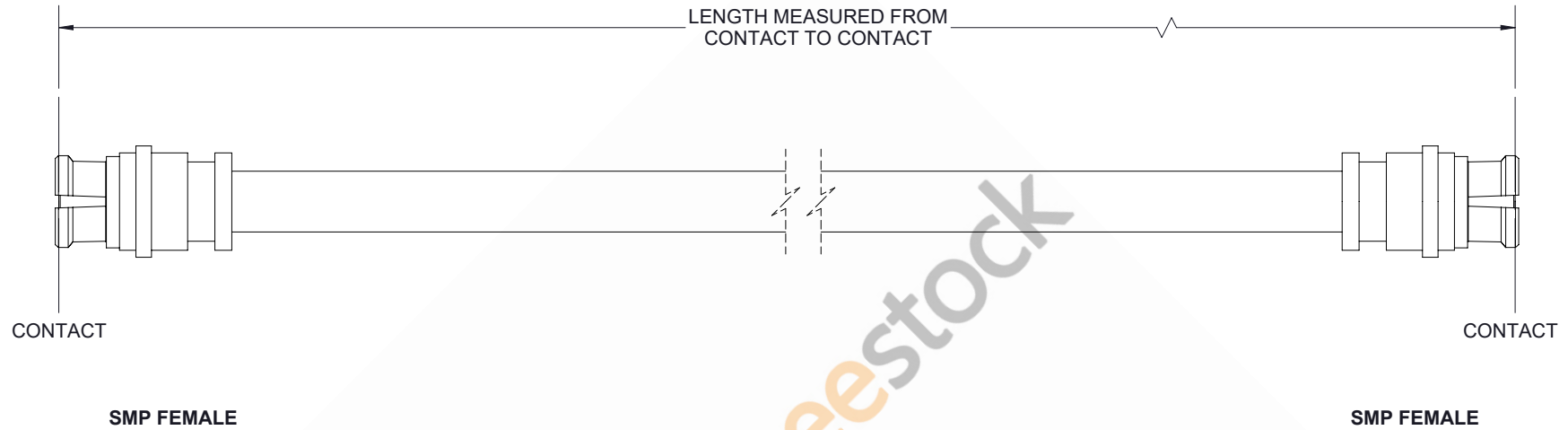


# Push-On SMP Female to Push-On SMP Female Cable 36 Inch Length Using Coax

REVISIONS			
REV.	DESCRIPTION	DATE	APPROVED
A	INITIAL RELEASE	04/30/19	S.ELLIS



ebeestock

UNLESS OTHERWISE SPECIFIED LEADING DIMENSIONS ARE INCHES DIMENSIONS IN [ ] ARE MILLIMETERS <b>TOLERANCES:</b> .X $\pm$ .2 [ 5.08]    FRACTIONS $\pm$ 1/32 .XX $\pm$ .01 [ .25]                         ANGES $\pm$ 1° .XXX $\pm$ .005 [ .13]		 <p>8TH FLOOR, BUILDING 1,                  YONGFU SCIENCE AND TECHNOLOGY                  CENTER INDUSTRIAL PARK, NANZHA DISTRICT                  5, HUMEN, 523900, DONGGUAN, GUANGDONG, CHINA</p> <p>WEBSITE: <a href="http://www.ebeestock.com">www.ebeestock.com</a>                  EMAIL: <a href="mailto:sales@ebeestock.com">sales@ebeestock.com</a></p>	THE INFORMATION AND DESIGN IN THIS DOCUMENT IS THE PROPERTY OF EBEESTOCK CORPORATION ALL RIGHTS RESERVED.
ALL DIMENSIONS SHOWN ARE FOR REFERENCE ONLY. THIRD-ANGLE PROJECTION			SHEET 1 OF 1 SCALE N/A
THESE COMMODITIES, TECHNOLOGY OR SOFTWARE WERE EXPORTED FROM THE UNITED STATES IN ACCORDANCE WITH THE EXPORT ADMINISTRATION REGULATIONS. DIVERSION CONTRARY TO U.S. LAW PROHIBITED.	SIZE A    CAGE 53919    DRAWN BY K.DANG    PART NUMBER ET32323    REV A		