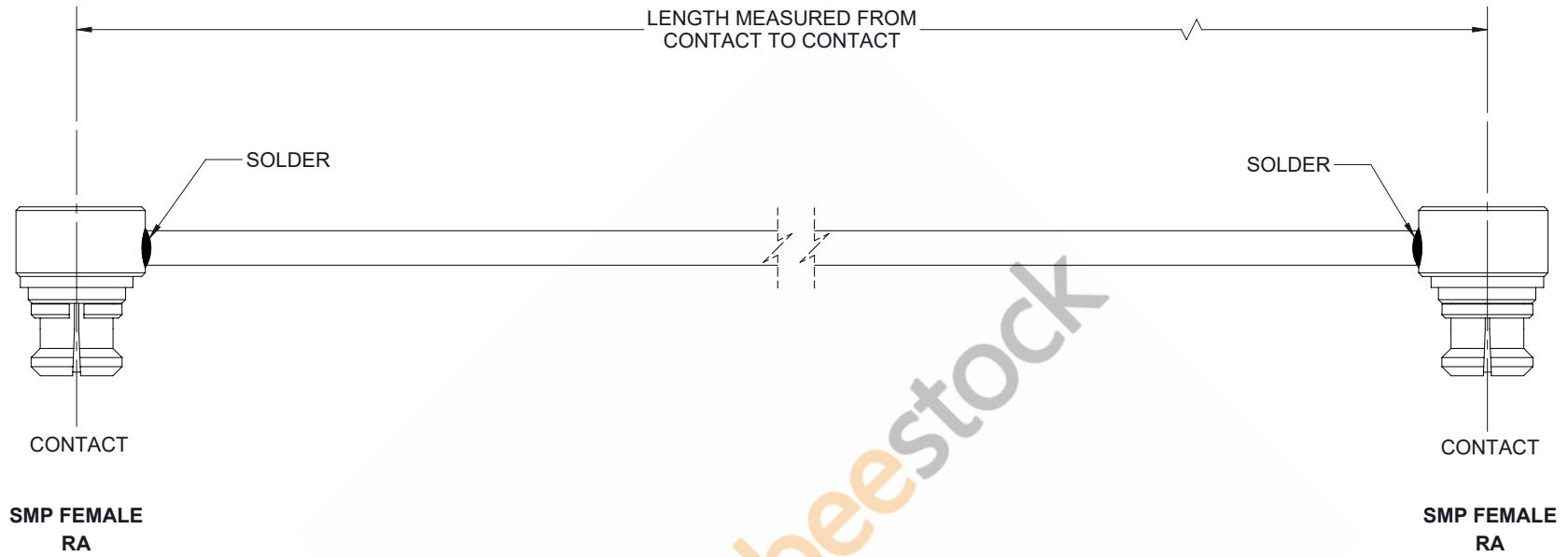


# SMP Female Right Angle to SMP Female Right Angle Cable 50 cm Length Using Coax

REVISIONS			
REV.	DESCRIPTION	DATE	APPROVED
A	INITIAL RELEASE	05/13/19	S.ELLIS



THESE COMMODITIES, TECHNOLOGY OR SOFTWARE WERE EXPORTED FROM THE UNITED STATES IN ACCORDANCE WITH THE EXPORT ADMINISTRATION REGULATIONS. DIVERSION CONTRARY TO U.S. LAW PROHIBITED.

UNLESS OTHERWISE SPECIFIED LEADING DIMENSIONS ARE INCHES DIMENSIONS IN [ ] ARE MILLIMETERS <b>TOLERANCES:</b> .X±.2 [ 5.08]      FRACTIONS ± 1/32 .XX±.01 [ .25]      ANGLES ± 1° .XXX±.005 [ .13]		 8TH FLOOR, BUILDING 1, YONGFU SCIENCE AND TECHNOLOGY CENTER INDUSTRIAL PARK, NANZHA DISTRICT 5,HUMEN,523900,DONGGUAN, GUANGDONG, CHINA WEBSITE: <a href="http://www.ebeestock.com">www.ebeestock.com</a> EMAIL: <a href="mailto:sales@ebeestock.com">sales@ebeestock.com</a>	THE INFORMATION AND DESIGN IN THIS DOCUMENT IS THE PROPERTY OF EBEESTOCK CORPORATION. ALL RIGHTS RESERVED.
ALL DIMENSIONS SHOWN ARE FOR REFERENCE ONLY. THIRD-ANGLE PROJECTION			SHEET 1 OF 1 SCALE N/A
SIZE A	CAGE 53919	DRAWN BY K.DANG	PART NUMBER ET32353 REV A