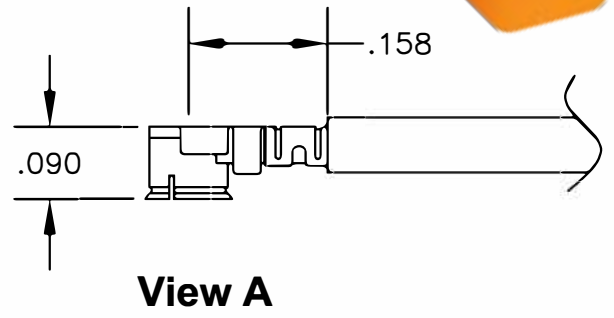
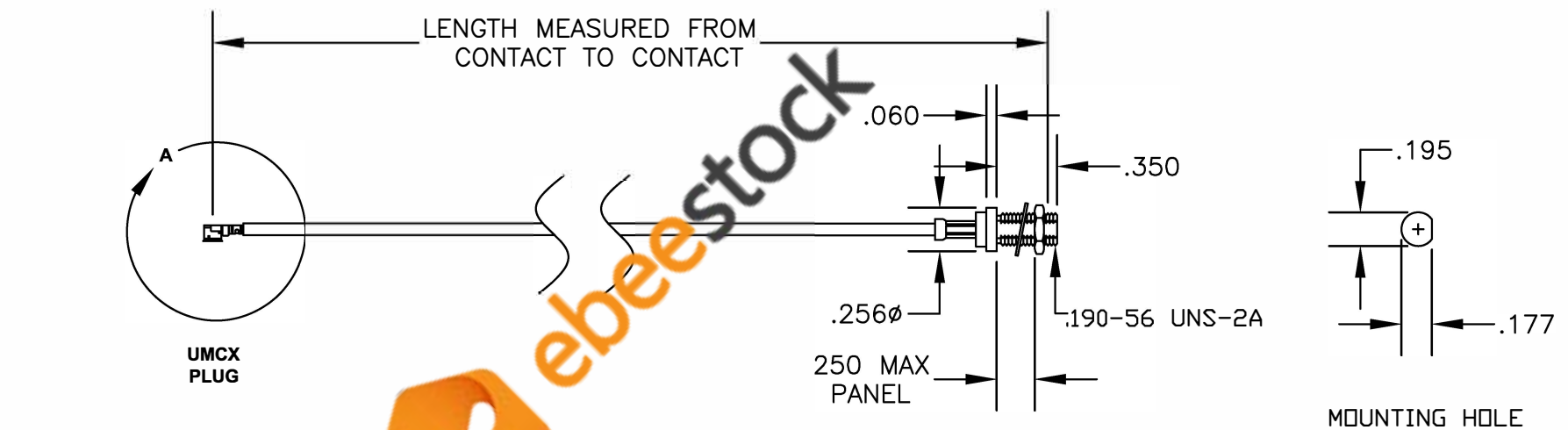



COMPONENTS	IMPEDANCE
UMCX PLUG	50 OHM
REVERSE POLARITY MCX JACK BULKHEAD	50 OHM
RG178B/U	50 OHM

Standard Lengths	
-3	3"
-6	6"
-9	9"
-12	12"
-18	18"
-24	24"
-XXX	Custom Length in inches (24" Max Length)



REVERSE POLARITY MCX JACK BULKHEAD



8TH FLOOR, BUILDING 1, YONGFU SCIENCE AND TECHNOLOGY CENTER INDUSTRIAL PARK, NANZHA DISTRICT 5, HUMEN, 523900, DONGGUAN, GUANGDONG, CHINA

**ebeestock**

ESTABLISHED 2003

WEBSITE: [www.ebeestock.com](http://www.ebeestock.com)

EMAIL: [sales@ebeestock.com](mailto:sales@ebeestock.com)

COAXIAL & FIBER OPTICS

<b>DWG TITLE</b> <span style="font-size: 1.2em; color: blue;">ET34922</span>	<b>DES.</b> CABLE ASSEMBLY, UMCX PLUG TO REVERSE POLARITY MCX JACK BULKHEAD, RG178B/U
<b>REV. -</b>	<b>FSCM NO. 53919</b>
<b>CAD FILE</b> 031408	<b>SCALE</b> N/A
<b>SIZE</b> A	<b>127</b>

**NOTES:**  
 1. UNLESS OTHERWISE SPECIFIED ALL DIMENSIONS ARE NOMINAL.  
 2. ALL SPECIFICATIONS ARE SUBJECT TO CHANGE WITHOUT NOTICE AT ANY TIME.  
 3. DIMENSIONS ARE IN INCHES.  
 4. LENGTH TOLERANCE IS  $\pm 1.5\%$  OR  $3/8"$ , WHICHEVER IS GREATER.