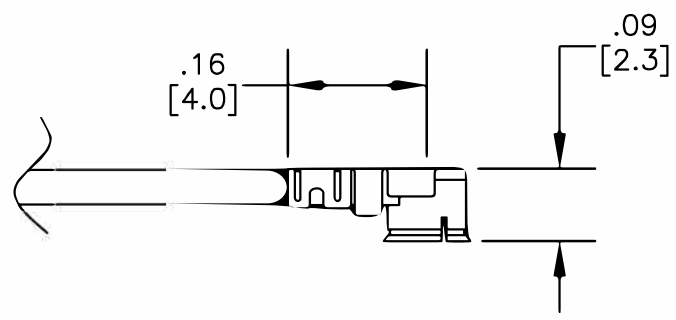
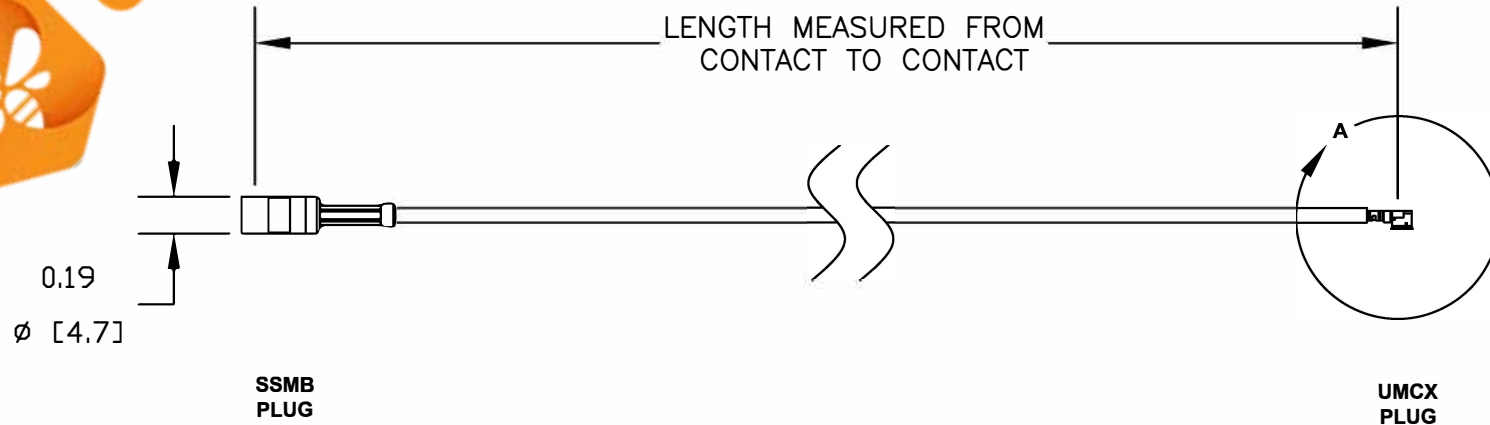


COMPONENTS	IMPEDANCE
SSMB PLUG	50 OHM
UMCX PLUG	50 OHM
RG178B/U	50 OHM

Standard Lengths	
-6	6"
-12	12"
-18	18"
-XXX	Custom Length in inches (24" Max Length)



View A

8TH FLOOR, BUILDING 1, YONGFU SCIENCE AND TECHNOLOGY CENTER INDUSTRIAL PARK, NANZHA DISTRICT 5, HUMEN, 523900, DONGGUAN, GUANGDONG, CHINA

WEBSITE: [www.ebeestock.com](http://www.ebeestock.com)

EMAIL: [sales@ebeestock.com](mailto:sales@ebeestock.com)

COAXIAL & FIBER OPTICS

---

<b>DWG TITLE</b> <span style="font-size: 1.2em; color: blue;">ET34945</span>	<b>DES.</b> CABLE ASSEMBLY, RG178B/U, SSMB PLUG TO UMCX PLUG
<b>REV.</b> - FSCM NO. 53919	CAD FILE 082411    SCALE N/A    SIZE A    2231

**NOTES:**  
 1. UNLESS OTHERWISE SPECIFIED ALL DIMENSIONS ARE NOMINAL.  
 2. ALL SPECIFICATIONS ARE SUBJECT TO CHANGE WITHOUT NOTICE AT ANY TIME.  
 3. DIMENSIONS ARE IN INCHES [mm].  
 4. LENGTH TOLERANCE IS ± 1.5% OR ±3/8", WHICHEVER IS GREATER.