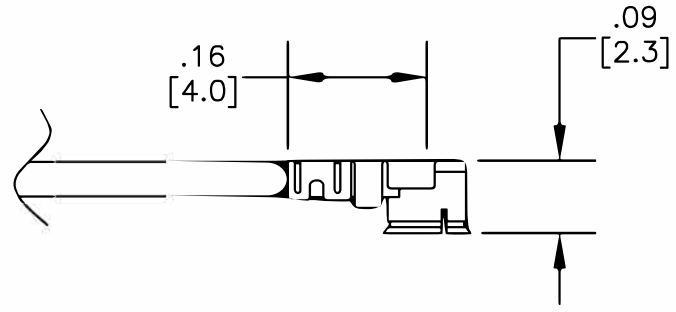
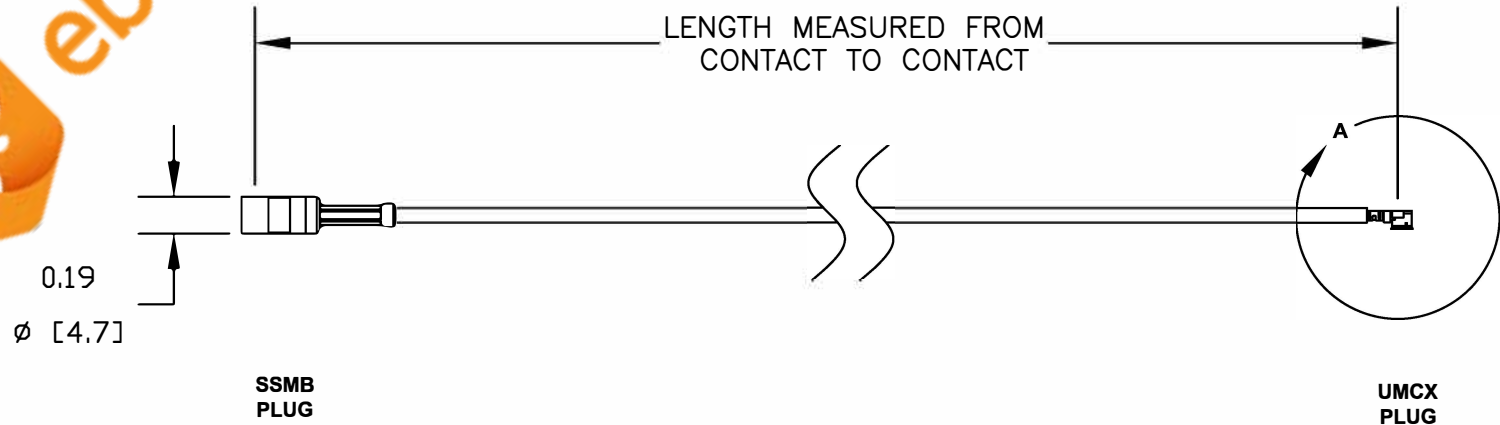


COMPONENTS	IMPEDANCE
SSMB PLUG	50 OHM
UMCX PLUG	50 OHM
RG178B/U	50 OHM

Standard Lengths	
-6	6"
-12	12"
-18	18"
-XXX	Custom Length in inches (24" Max Length)



8TH FLOOR, BUILDING 1, YONGFU SCIENCE AND TECHNOLOGY  
CENTER INDUSTRIAL PARK, NANZHA DISTRICT 5,  
HUMEN, 523900, DONGGUAN, GUANGDONG, CHINA

**ebeestock**

ESTABLISHED 2003

WEBSITE: [www.ebeestock.com](http://www.ebeestock.com)  
EMAIL: [sales@ebeestock.com](mailto:sales@ebeestock.com)  
COAXIAL & FIBER OPTICS

<b>DWG TITLE</b> <b>ET34946</b>	<b>DES.</b> CABLE ASSEMBLY, RG178B/U, SSMB PLUG TO UMCX PLUG
<b>REV.</b> -	<b>FSCM NO.</b> 53919
<b>CAD FILE</b> 082411	<b>SCALE</b> N/A
<b>SIZE</b> A	<b>2231</b>

**NOTES:**  
1. UNLESS OTHERWISE SPECIFIED ALL DIMENSIONS ARE NOMINAL.  
2. ALL SPECIFICATIONS ARE SUBJECT TO CHANGE WITHOUT NOTICE AT ANY TIME.  
3. DIMENSIONS ARE IN INCHES [mm].  
4. LENGTH TOLERANCE IS ± 1.5% OR ±3/8", WHICHEVER IS GREATER.