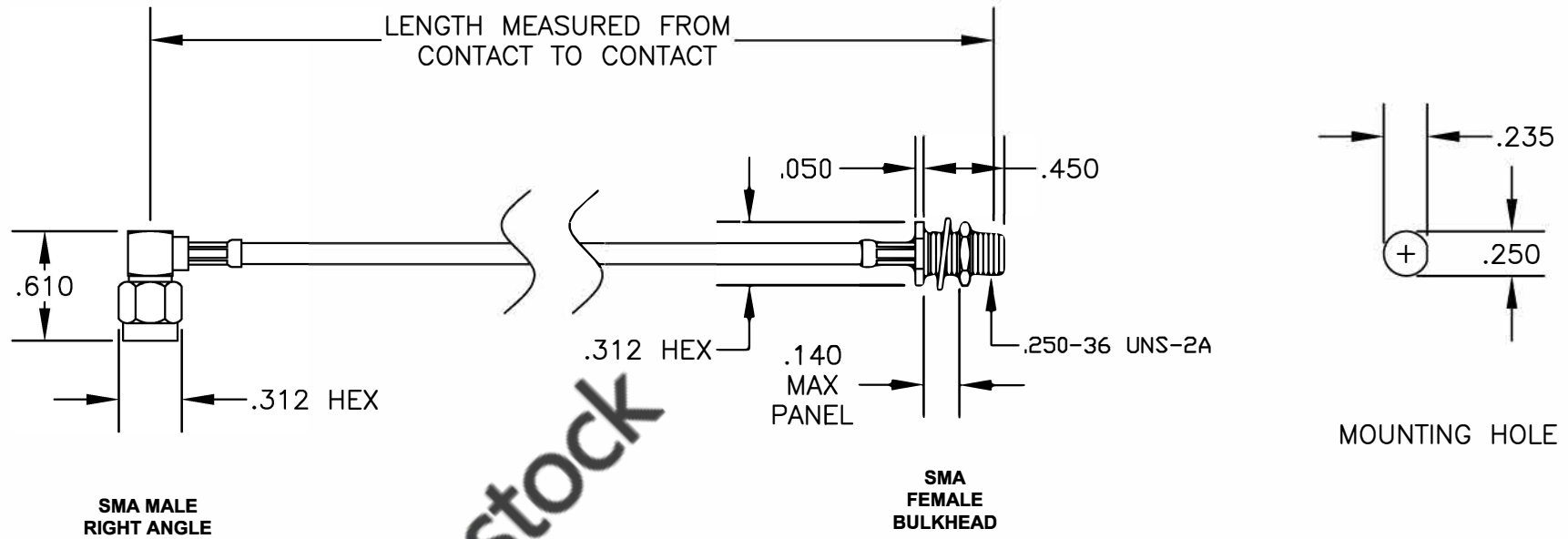


| COMPONENTS | IMPEDANCE |
|----------------------|-----------|
| SMA MALE RIGHT ANGLE | 50 OHM |
| SMA FEMALE BULKHEAD | 50 OHM |
| RG188A/U | 50 OHM |

| Standard Lengths | |
|------------------|-------------------------|
| -12 | 12" |
| -24 | 24" |
| -36 | 36" |
| -48 | 48" |
| -60 | 60" |
| -XXX | Custom Length in inches |



8TH FLOOR, BUILDING 1, YONGFU SCIENCE AND TECHNOLOGY CENTER INDUSTRIAL PARK, NANZHA DISTRICT 5, HUMEN, 523900, DONGGUAN, GUANGDONG, CHINA

ebeeStock
ESTABLISHED 2003

WEBSITE: www.ebeeStock.com
EMAIL: sales@ebeeStock.com
COAXIAL & FIBER OPTICS

| | | | | | |
|-----------|----------------|----------|--------|-------|---|
| DWG TITLE | ET35039 | | | DES. | CABLE ASSEMBLY, RG188A/U, SMA MALE RIGHT ANGLE TO SMA FEMALE BULKHEAD (LEAD FREE) |
| SIZE A | FSCM NO. 53919 | CAD FILE | 022908 | SCALE | N/A |

- NOTES:
- UNLESS OTHERWISE SPECIFIED ALL DIMENSIONS ARE NOMINAL.
 - ALL SPECIFICATIONS ARE SUBJECT TO CHANGE WITHOUT NOTICE AT ANY TIME.
 - DIMENSIONS ARE IN INCHES.
 - LENGTH TOLERANCE IS $\pm 1.5\%$ OR $\pm 3/8"$, WHICHEVER IS GREATER.