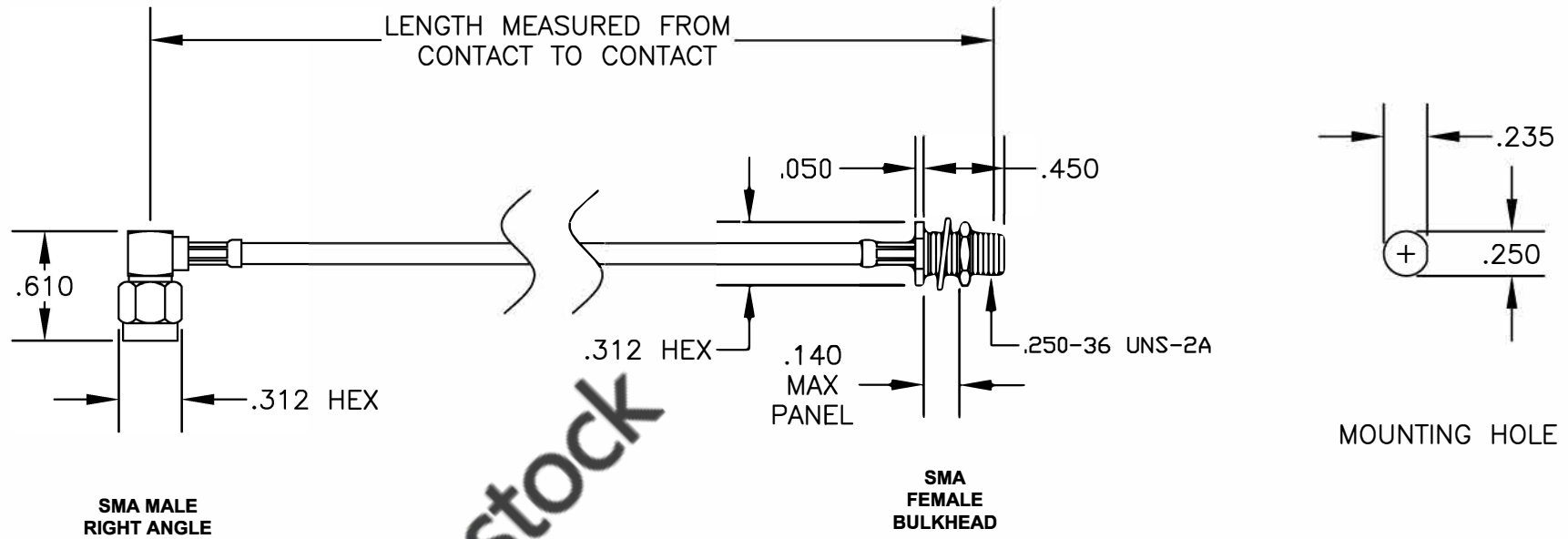


COMPONENTS	IMPEDANCE
SMA MALE RIGHT ANGLE	50 OHM
SMA FEMALE BULKHEAD	50 OHM
RG188A/U	50 OHM

Standard Lengths	
-12	12"
-24	24"
-36	36"
-48	48"
-60	60"
-XXX	Custom Length in inches



8TH FLOOR, BUILDING 1, YONGFU SCIENCE AND TECHNOLOGY CENTER INDUSTRIAL PARK, NANZHA DISTRICT 5, HUMEN, 523900, DONGGUAN, GUANGDONG, CHINA

**ebeeStock**  
ESTABLISHED 2003

WEBSITE: [www.ebeeStock.com](http://www.ebeeStock.com)  
EMAIL: [sales@ebeeStock.com](mailto:sales@ebeeStock.com)  
COAXIAL & FIBER OPTICS

DWG TITLE	<b>ET35041</b>			DES.	CABLE ASSEMBLY, RG188A/U, SMA MALE RIGHT ANGLE TO SMA FEMALE BULKHEAD (LEAD FREE)
SIZE A	FSCM NO. 53919	CAD FILE	022908	SCALE	N/A

- NOTES:
- UNLESS OTHERWISE SPECIFIED ALL DIMENSIONS ARE NOMINAL.
  - ALL SPECIFICATIONS ARE SUBJECT TO CHANGE WITHOUT NOTICE AT ANY TIME.
  - DIMENSIONS ARE IN INCHES.
  - LENGTH TOLERANCE IS  $\pm 1.5\%$  OR  $\pm 3/8"$ , WHICHEVER IS GREATER.