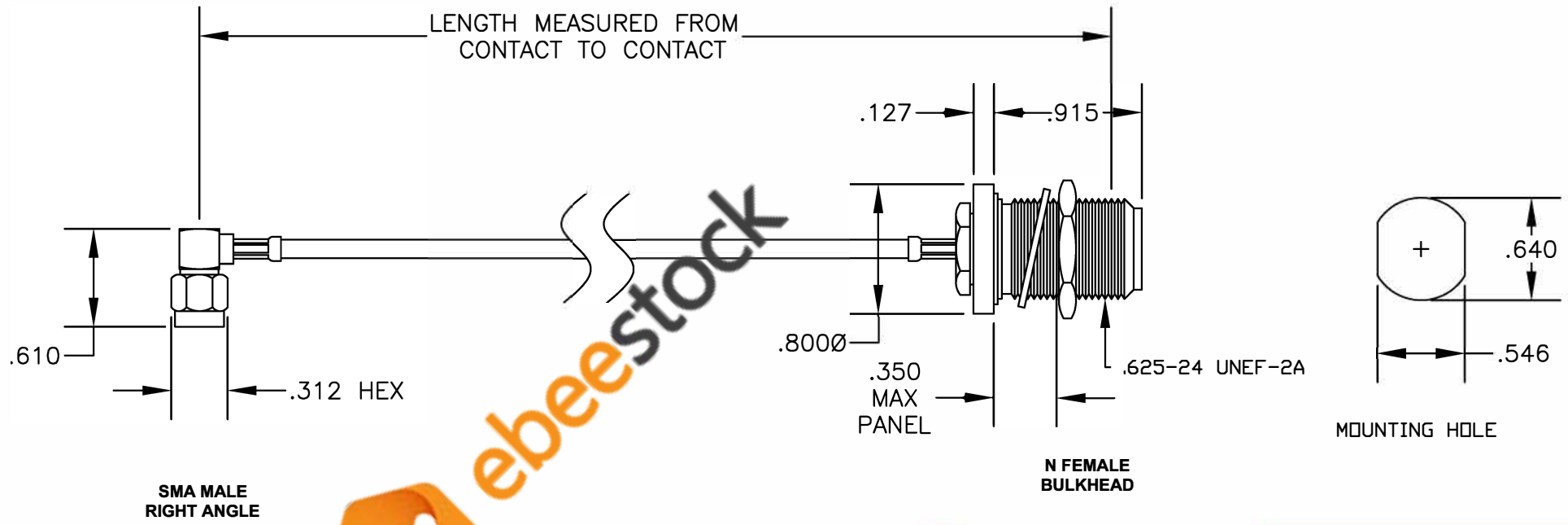



COMPONENTS	IMPEDANCE
SMA MALE RIGHT ANGLE	50 OHM
N FEMALE BULKHEAD	50 OHM
RG316/U	50 OHM

Standard Lengths	
-12	12"
-24	24"
-36	36"
-48	48"
-60	60"
-XXX	Custom Length in inches





8TH FLOOR, BUILDING 1, YONGFU SCIENCE AND TECHNOLOGY
CENTER INDUSTRIAL PARK, NANZHA DISTRICT 5,
HUMEN, 523900, DONGGUAN, GUANGDONG, CHINA

ebeestock

ESTABLISHED 2003

WEBSITE: www.ebeestock.com

EMAIL: sales@ebeestock.com

COAXIAL & FIBER OPTICS

DWG TITLE <div style="text-align: center; font-size: 1.2em; font-weight: bold;">ET35432</div>	DES. CABLE ASSEMBLY, RG316/U, SMA MALE RIGHT ANGLE TO N FEMALE BULKHEAD
REV. - FSCM NO. 53919	CAD FILE 032709 SCALE N/A SIZE A 127

NOTES:
 1. UNLESS OTHERWISE SPECIFIED ALL DIMENSIONS ARE NOMINAL.
 2. ALL SPECIFICATIONS ARE SUBJECT TO CHANGE WITHOUT NOTICE AT ANY TIME.
 3. DIMENSIONS ARE IN INCHES.
 4. LENGTH TOLERANCE IS ± 1.5% OR 3/8", WHICHEVER IS GREATER.