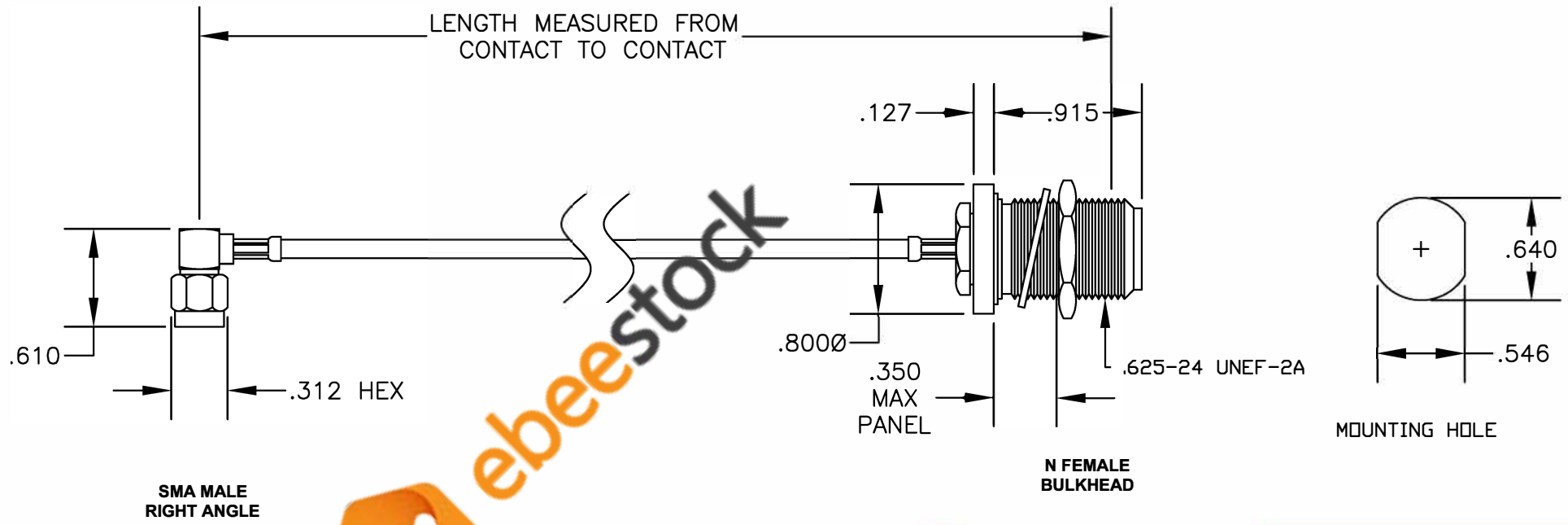


COMPONENTS	IMPEDANCE
SMA MALE RIGHT ANGLE	50 OHM
N FEMALE BULKHEAD	50 OHM
RG316/U	50 OHM

Standard Lengths	
-12	12"
-24	24"
-36	36"
-48	48"
-60	60"
-XXX	Custom Length in inches



8TH FLOOR, BUILDING 1, YONGFU SCIENCE AND TECHNOLOGY  
CENTER INDUSTRIAL PARK, NANZHA DISTRICT 5,  
HUMEN, 523900, DONGGUAN, GUANGDONG, CHINA

**ebeestock**

ESTABLISHED 2003

WEBSITE: [www.ebeestock.com](http://www.ebeestock.com)

EMAIL: [sales@ebeestock.com](mailto:sales@ebeestock.com)

**COAXIAL & FIBER OPTICS**

DWG TITLE <div style="text-align: center; font-size: 1.2em; font-weight: bold;">ET35435</div>	DES. CABLE ASSEMBLY, RG316/U, SMA MALE RIGHT ANGLE TO N FEMALE BULKHEAD
REV. - <b>FSCM NO. 53919</b>	CAD FILE 032709    SCALE N/A    SIZE A    127

**NOTES:**  
 1. UNLESS OTHERWISE SPECIFIED ALL DIMENSIONS ARE NOMINAL.  
 2. ALL SPECIFICATIONS ARE SUBJECT TO CHANGE WITHOUT NOTICE AT ANY TIME.  
 3. DIMENSIONS ARE IN INCHES.  
 4. LENGTH TOLERANCE IS ± 1.5% OR 3/8", WHICHEVER IS GREATER.