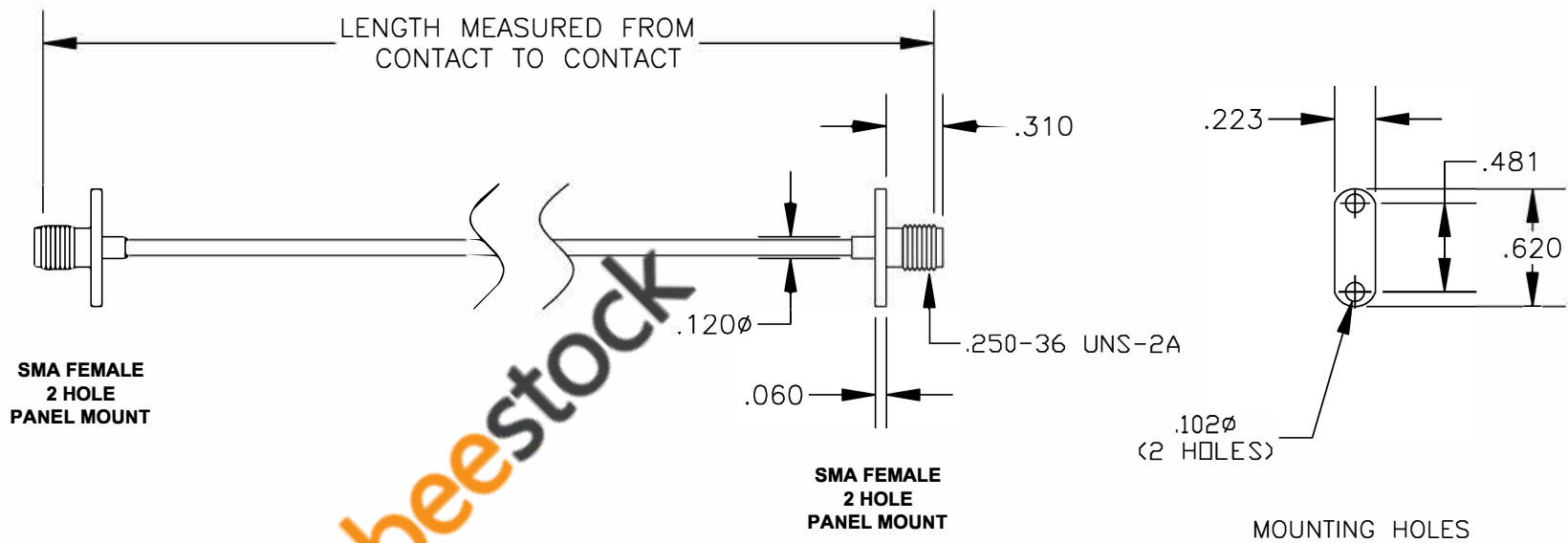


COMPONENTS	IMPEDANCE
SMA FEMALE 2 HOLE PANEL MOUNT	50 OHM
SMA FEMALE 2 HOLE PANEL MOUNT	50 OHM
RG405/U	50 OHM

Standard Lengths	
-12	12"
-24	24"
-36	36"
-48	48"
-60	60"
-XXX	Custom Length in inches



ebeestock


8TH FLOOR, BUILDING 1, YONGFU SCIENCE AND TECHNOLOGY CENTER INDUSTRIAL PARK, NANZHA DISTRICT 5, HUMEN, 523900, DONGGUAN, GUANGDONG, CHINA
 WEBSITE: www.ebeestock.com
 EMAIL: sales@ebeestock.com
COAXIAL & FIBER OPTICS
 ESTABLISHED 2003

DWG TITLE	DES.
ET35526	CABLE ASSEMBLY, RG405/U, SMA FEMALE 2 HOLE PANEL MOUNT TO SMA FEMALE 2 HOLE PANEL MOUNT (LEAD FREE)

REV. A	FSCM NO. 53919	CAD FILE 012208	SCALE N/A	SIZE A 147
--------	----------------	-----------------	-----------	------------

- NOTES:
- UNLESS OTHERWISE SPECIFIED ALL DIMENSIONS ARE NOMINAL.
 - ALL SPECIFICATIONS ARE SUBJECT TO CHANGE WITHOUT NOTICE AT ANY TIME.
 - DIMENSIONS ARE IN INCHES.
 - LENGTH TOLERANCE IS $\pm 1.5\%$ OR $\pm 3/8"$, WHICHEVER IS GREATER.