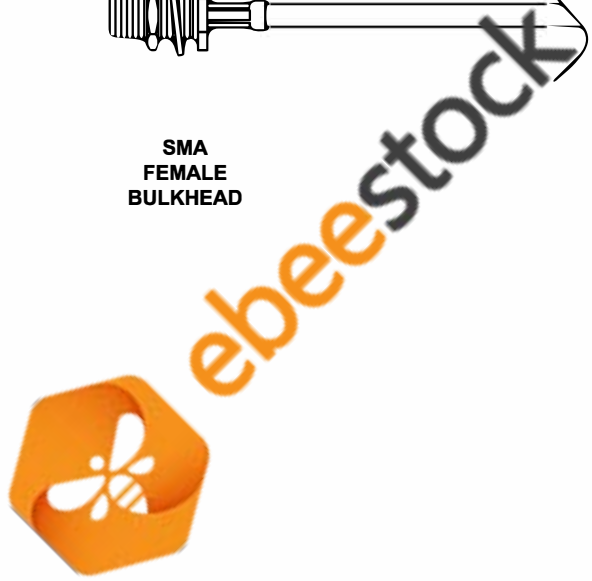
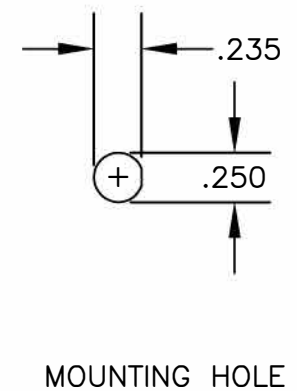
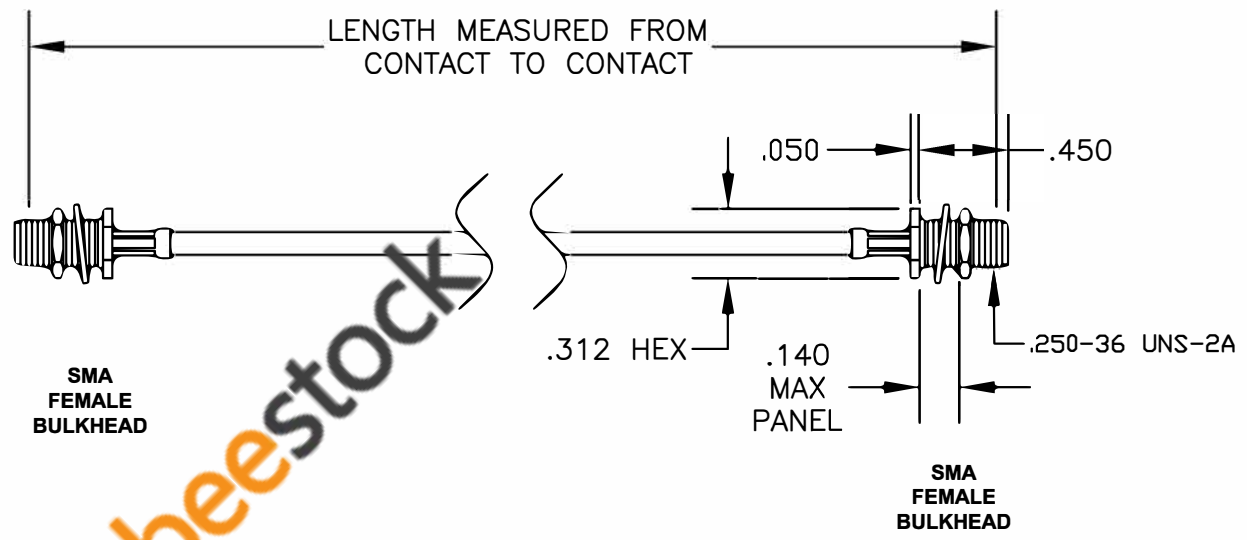



| COMPONENTS | IMPEDANCE |
|---------------------|-----------|
| SMA FEMALE BULKHEAD | 50 OHM |
| SMA FEMALE BULKHEAD | 50 OHM |
| RG174A/U | 50 OHM |
| | |

| Standard Lengths | |
|------------------|-------------------------|
| -12 | 12" |
| -24 | 24" |
| -36 | 36" |
| -48 | 48" |
| -60 | 60" |
| -XXX | Custom Length in inches |
| | |





8TH FLOOR, BUILDING 1, YONGFU SCIENCE AND TECHNOLOGY CENTER INDUSTRIAL PARK, NANZHA DISTRICT 5, HUMEN, 523900, DONGGUAN, GUANGDONG, CHINA

ebeeStock
ESTABLISHED 2003

WEBSITE: www.ebeeStock.com
EMAIL: sales@ebeeStock.com
COAXIAL & FIBER OPTICS

| | | | |
|--|----------------|--|-----------|
| DWG TITLE | | DES. | |
| ET35606 | | CABLE ASSEMBLY, RG174A/U, SMA FEMALE BULKHEAD TO SMA FEMALE BULKHEAD | |
| SIZE A | FSCM NO. 53919 | CAD FILE 043009 | SCALE N/A |
| NOTES: 1. UNLESS OTHERWISE SPECIFIED ALL DIMENSIONS ARE NOMINAL. 2. ALL SPECIFICATIONS ARE SUBJECT TO CHANGE WITHOUT NOTICE AT ANY TIME. 3. DIMENSIONS ARE IN INCHES. 4. LENGTH TOLERANCE IS ± 1.5% OR ±3/8", WHICHEVER IS GREATER. | | | |