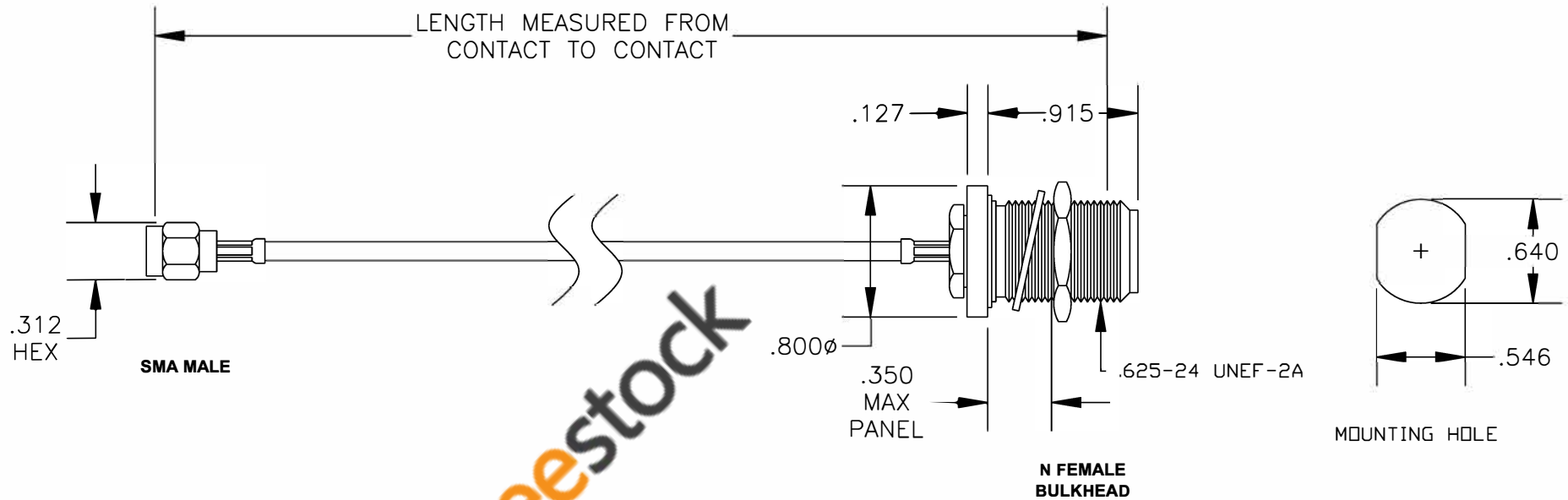


COMPONENTS	IMPEDANCE
SMA MALE	50 OHM
N FEMALE BULKHEAD	50 OHM
RG316/U	50 OHM

Standard Lengths	
-12	12"
-24	24"
-36	36"
-48	48"
-60	60"
-XXX	Custom Length in inches



8TH FLOOR, BUILDING PASTERNAK ENTERPRISES INC.
 CENTER INDUSTRIAL PARK NANHA DISTRICT 52623
 HUMEN, 523900, DONGGUAN CITY, GUANGDONG, CHINA
 TEL: +86 755 2711 1111 FAX: +86 755 2711 1111

ebeestock
 ESTABLISHED 2003

WEBSITE: www.ebeestock.com
 EMAIL: sales@pasternack.com
info@pasternack.com

COAXIAL & FIBER OPTICS

DWG TITLE	ET35755	DES.	CABLE ASSEMBLY, RG316/U, SMA MALE TO N FEMALE BULKHEAD
REV. A	FSCM NO. 53919	CAD FILE	012408
		SCALE	N/A
		SIZE	A 147

- NOTES:
1. UNLESS OTHERWISE SPECIFIED ALL DIMENSIONS ARE NOMINAL.
 2. ALL SPECIFICATIONS ARE SUBJECT TO CHANGE WITHOUT NOTICE AT ANY TIME.
 3. DIMENSIONS ARE IN INCHES.
 4. LENGTH TOLERANCE IS $\pm 1.5\%$ OR $\pm 3/8"$, WHICHEVER IS GREATER.