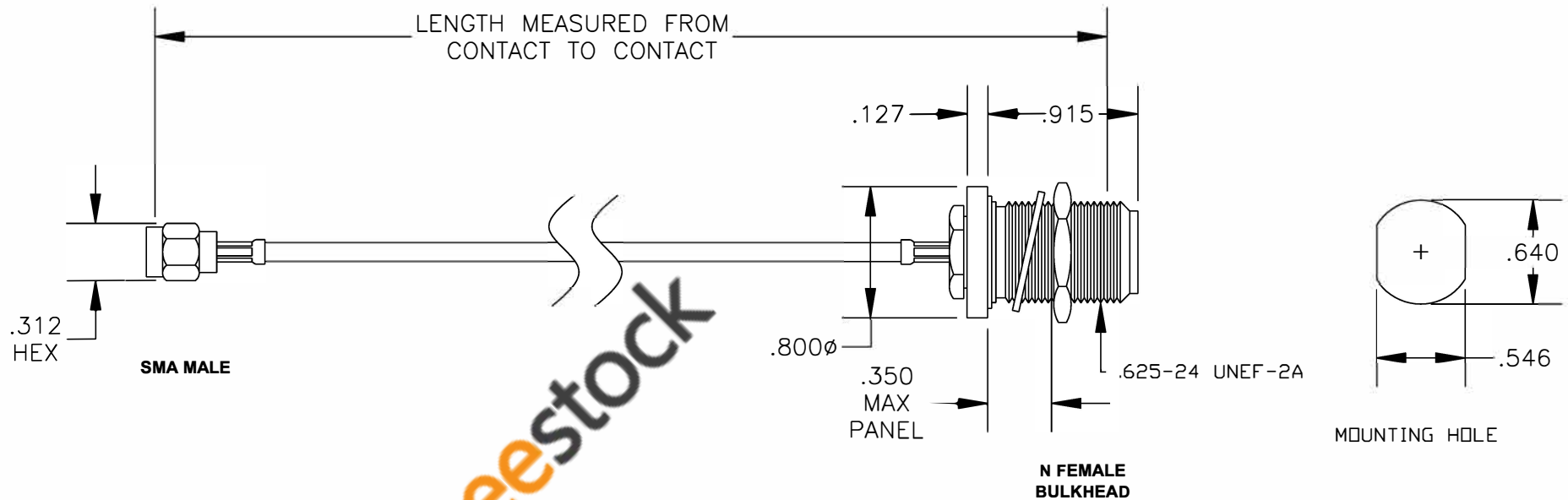


| COMPONENTS | IMPEDANCE |
|-------------------|-----------|
| SMA MALE | 50 OHM |
| N FEMALE BULKHEAD | 50 OHM |
| RG316/U | 50 OHM |
| | |

| Standard Lengths | |
|------------------|-------------------------|
| -12 | 12" |
| -24 | 24" |
| -36 | 36" |
| -48 | 48" |
| -60 | 60" |
| -XXX | Custom Length in inches |
| | |




8TH FLOOR, BUILDING 1, YONGFU SCIENCE AND TECHNOLOGY CENTER INDUSTRIAL PARK, NANZHA DISTRICT 5, HUMEN, 523900, DONGGUAN, GUANGDONG, CHINA
 WEBSITE: www.ebeestock.com
 EMAIL: sales@ebeestock.com
COAXIAL & FIBER OPTICS
 ESTABLISHED 2003

| | |
|--------------------------|---|
| DWG TITLE ET35757 | DES. CABLE ASSEMBLY, RG316/U, SMA MALE TO N FEMALE BULKHEAD |
|--------------------------|---|

| | | | | | |
|--------|-----------------------|-----------------|-----------|--------|-----|
| REV. A | FSCM NO. 53919 | CAD FILE 012408 | SCALE N/A | SIZE A | 147 |
|--------|-----------------------|-----------------|-----------|--------|-----|

- NOTES:**
1. UNLESS OTHERWISE SPECIFIED ALL DIMENSIONS ARE NOMINAL.
 2. ALL SPECIFICATIONS ARE SUBJECT TO CHANGE WITHOUT NOTICE AT ANY TIME.
 3. DIMENSIONS ARE IN INCHES.
 4. LENGTH TOLERANCE IS $\pm 1.5\%$ OR $\pm 3/8"$, WHICHEVER IS GREATER.