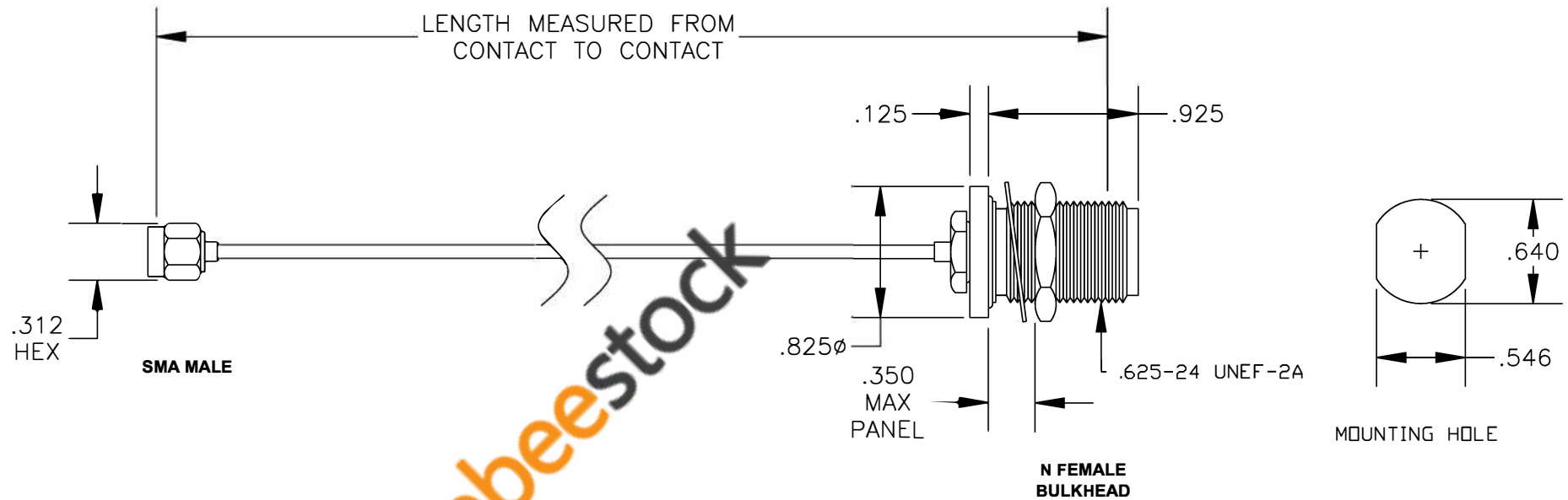


| COMPONENTS        | IMPEDANCE |
|-------------------|-----------|
| SMA MALE          | 50 OHM    |
| N FEMALE BULKHEAD | 50 OHM    |
| RG405/U           | 50 OHM    |
|                   |           |

| Standard Lengths |                         |
|------------------|-------------------------|
| -12              | 12"                     |
| -24              | 24"                     |
| -36              | 36"                     |
| -48              | 48"                     |
| -60              | 60"                     |
| -XXX             | Custom Length in inches |
|                  |                         |




**8TH FLOOR, BUILDING 1, YONGFU SCIENCE AND TECHNOLOGY CENTER INDUSTRIAL PARK, NANZHA DISTRICT 5, HUMEN, 523900, DONGGUAN, GUANGDONG, CHINA**  
 WEBSITE: [www.ebeestock.com](http://www.ebeestock.com)  
 EMAIL: [sales@ebeestock.com](mailto:sales@ebeestock.com)  
**COAXIAL & FIBER OPTICS**  
 ESTABLISHED 2003

|           |                |      |  |
|-----------|----------------|------|--|
| DWG TITLE | <b>ET35801</b> | DES. | CABLE ASSEMBLY, RG405/U, SMA MALE TO N FEMALE BULKHEAD (LEAD FREE) |
|-----------|----------------|------|--|

|        |                       |          |        |       |     |      |   |     |
|--------|-----------------------|----------|--------|-------|-----|------|---|-----|
| REV. A | <b>FSCM NO. 53919</b> | CAD FILE | 021308 | SCALE | N/A | SIZE | A | 147 |
|--------|-----------------------|----------|--------|-------|-----|------|---|-----|

- NOTES:**
1. UNLESS OTHERWISE SPECIFIED ALL DIMENSIONS ARE NOMINAL.
  2. ALL SPECIFICATIONS ARE SUBJECT TO CHANGE WITHOUT NOTICE AT ANY TIME.
  3. DIMENSIONS ARE IN INCHES.
  4. LENGTH TOLERANCE IS  $\pm 1.5\%$  OR  $\pm 3/8"$ , WHICHEVER IS GREATER.