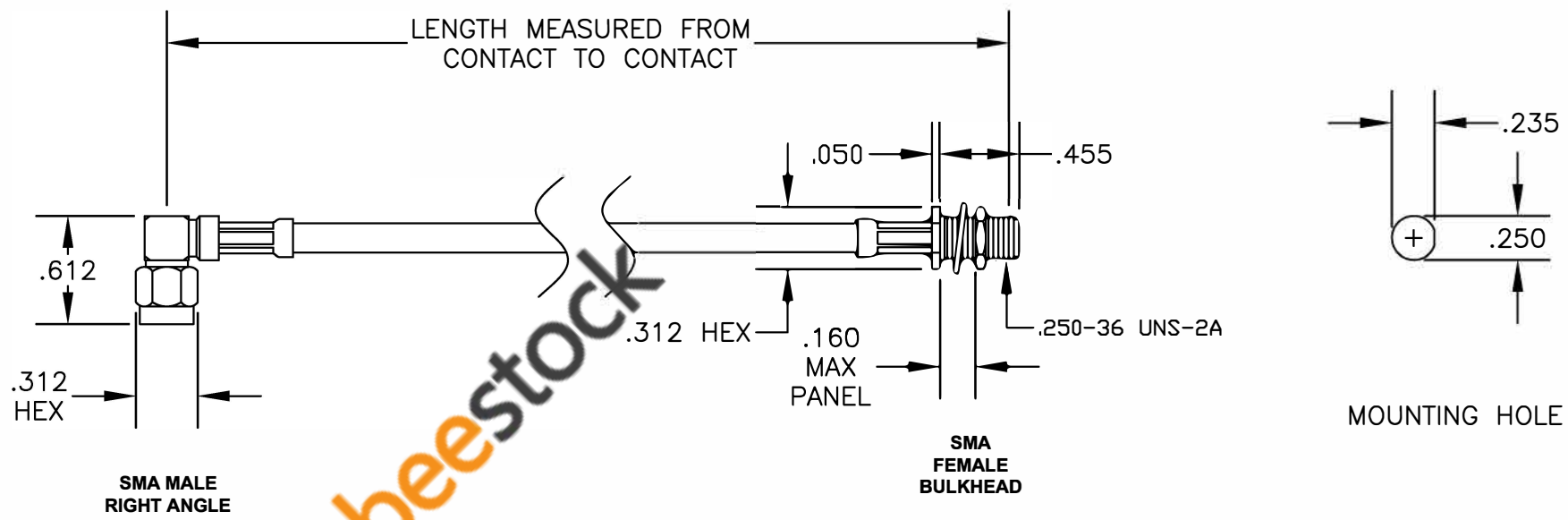



COMPONENTS	IMPEDANCE
SMA MALE RIGHT ANGLE	50 OHM
SMA FEMALE BULKHEAD	50 OHM

Standard Lengths	
-12	12"
-24	24"
-36	36"
-48	48"
-60	60"
-XXX	Custom Length in Inches



ebeestock

 <p>8TH FLOOR, BUILDING 1, YONGFU SCIENCE AND TECHNOLOGY CENTER INDUSTRIAL PARK, NANZHA DISTRICT 5, HUMEN, 523900, DONGGUAN, GUANGDONG, CHINA</p> <p>WEBSITE: <a href="http://www.ebeestock.com">www.ebeestock.com</a> EMAIL: <a href="mailto:sales@ebeestock.com">sales@ebeestock.com</a></p> <p>ESTABLISHED 2003</p> <p>COAXIAL &amp; FIBER OPTICS</p>	
DWG TITLE	DES. CABLE ASSEMBLY, SMA MALE RIGHT ANGLE TO SMA FEMALE BULKHEAD
ET35817	
REV. B	FSCM NO. 53919
CAD FILE	050409
SCALE	N/A
SIZE	A 147
<p><b>NOTES:</b></p> <p>1. UNLESS OTHERWISE SPECIFIED ALL DIMENSIONS ARE NOMINAL.</p> <p>2. ALL SPECIFICATIONS ARE SUBJECT TO CHANGE WITHOUT NOTICE AT ANY TIME.</p> <p>3. DIMENSIONS ARE IN INCHES.</p> <p>4. LENGTH TOLERANCE IS ± 1.5% OR 3/8", WHICHEVER IS GREATER.</p>	