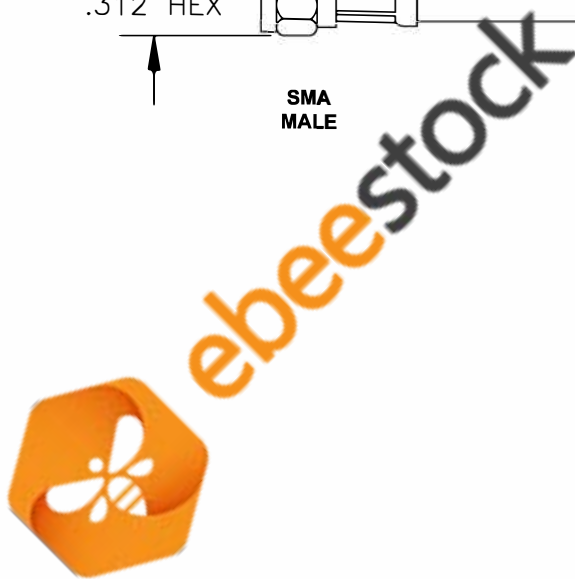
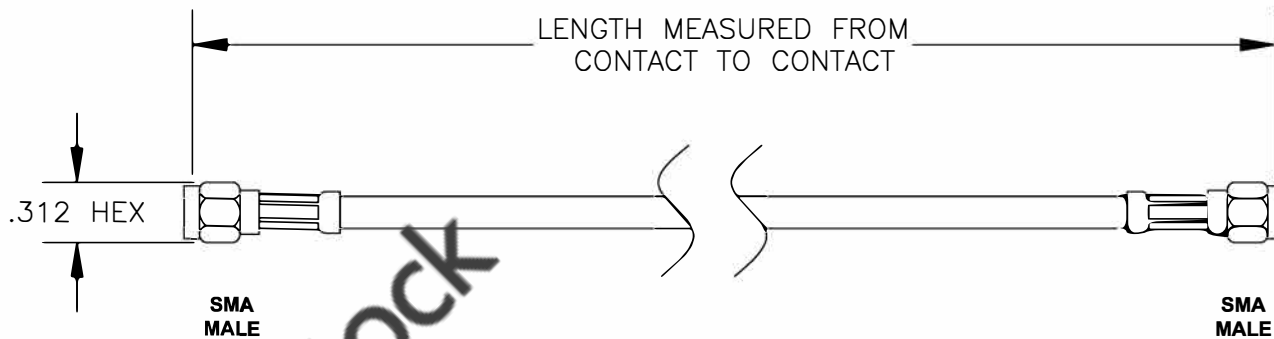



COMPONENTS	IMPEDANCE
SMA MALE	50 OHM
SMA MALE	50 OHM
RG223/U	50 OHM

Standard Lengths	
-12	12"
-24	24"
-36	36"
-48	48"
-60	60"
-xx	Custom Length in inches



 8TH FLOOR, BUILDING 1, YONGFU SCIENCE AND TECHNOLOGY CENTER INDUSTRIAL PARK, NANZHA DISTRICT 5, HUMEN, 523900, DONGGUAN, GUANGDONG, CHINA	
ebeestock ESTABLISHED 2003	
WEBSITE: www.ebeestock.com EMAIL: sales@ebeestock.com	
COAXIAL & FIBER OPTICS	
DWG TITLE ET35835	DES. CABLE ASSEMBLY, RG223/U, SMA MALE TO SMA MALE
SIZE A	FSCM NO. 53919
CAD FILE 012907	SCALE N/A
127	

- NOTES:**
1. UNLESS OTHERWISE SPECIFIED ALL DIMENSIONS ARE NOMINAL.
 2. ALL SPECIFICATIONS ARE SUBJECT TO CHANGE WITHOUT NOTICE AT ANY TIME.
 3. DIMENSIONS ARE IN INCHES.
 4. LENGTH TOLERANCE IS $\pm 1.5\%$ OR $\pm 3/8"$, WHICHEVER IS GREATER