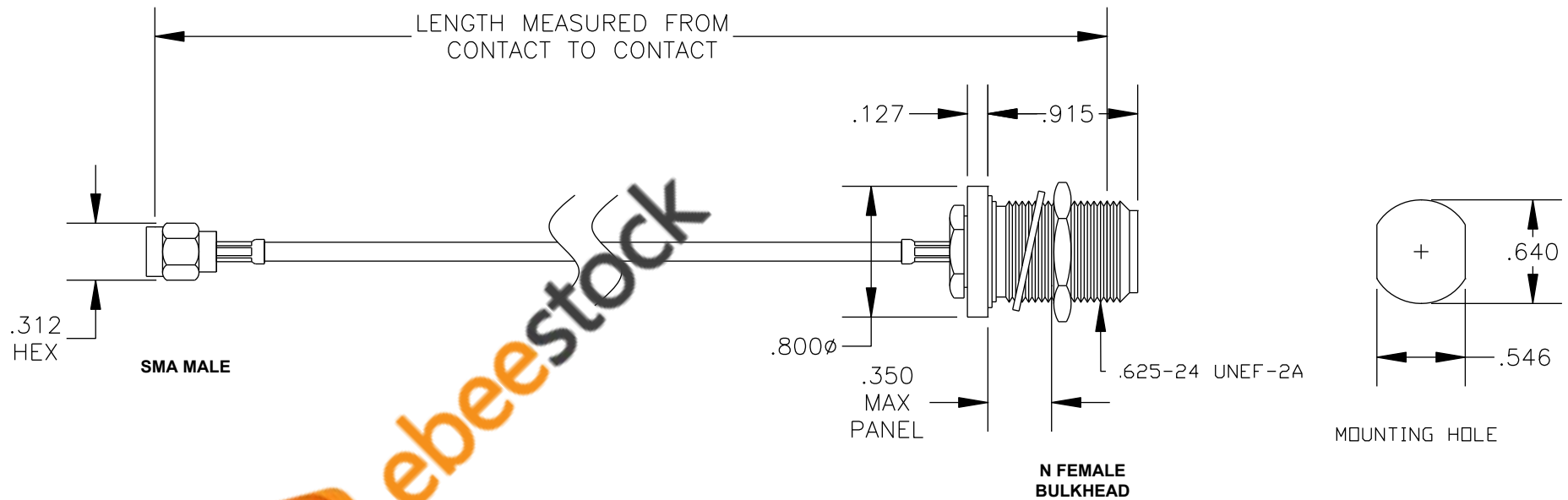


| COMPONENTS        | IMPEDANCE |
|-------------------|-----------|
| SMA MALE          | 50 OHM    |
| N FEMALE BULKHEAD | 50 OHM    |
| RG316-DS          | 50 OHM    |
|                   |           |

| Standard Lengths |                         |
|------------------|-------------------------|
| -12              | 12"                     |
| -24              | 24"                     |
| -36              | 36"                     |
| -48              | 48"                     |
| -60              | 60"                     |
| -XXX             | Custom Length in inches |
|                  |                         |




**8TH FLOOR, BUILDING 1, YONGFU SCIENCE AND TECHNOLOGY CENTER INDUSTRIAL PARK, NANZHA DISTRICT 5, HUMEN, 523900, DONGGUAN, GUANGDONG, CHINA**  
 WEBSITE: [www.ebeestock.com](http://www.ebeestock.com)  
 EMAIL: [sales@ebeestock.com](mailto:sales@ebeestock.com)

|                             |                |  |           |            |
|-----------------------------|----------------|--|-----------|------------|
| DWG TITLE<br><b>ET35967</b> |                | DES. CABLE ASSEMBLY, RG316-DS, SMA MALE TO N FEMALE BULKHEAD (LEAD FREE) |           |            |
| REV. A                      | FSCM NO. 53919 | CAD FILE 012408  | SCALE N/A | SIZE A 147 |

- NOTES:
1. UNLESS OTHERWISE SPECIFIED ALL DIMENSIONS ARE NOMINAL.
  2. ALL SPECIFICATIONS ARE SUBJECT TO CHANGE WITHOUT NOTICE AT ANY TIME.
  3. DIMENSIONS ARE IN INCHES.
  4. LENGTH TOLERANCE IS  $\pm 1.5\%$  OR  $\pm 3/8"$ , WHICHEVER IS GREATER.