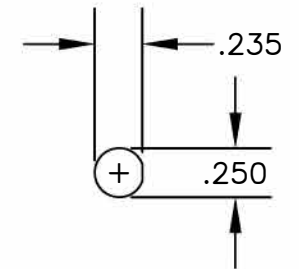
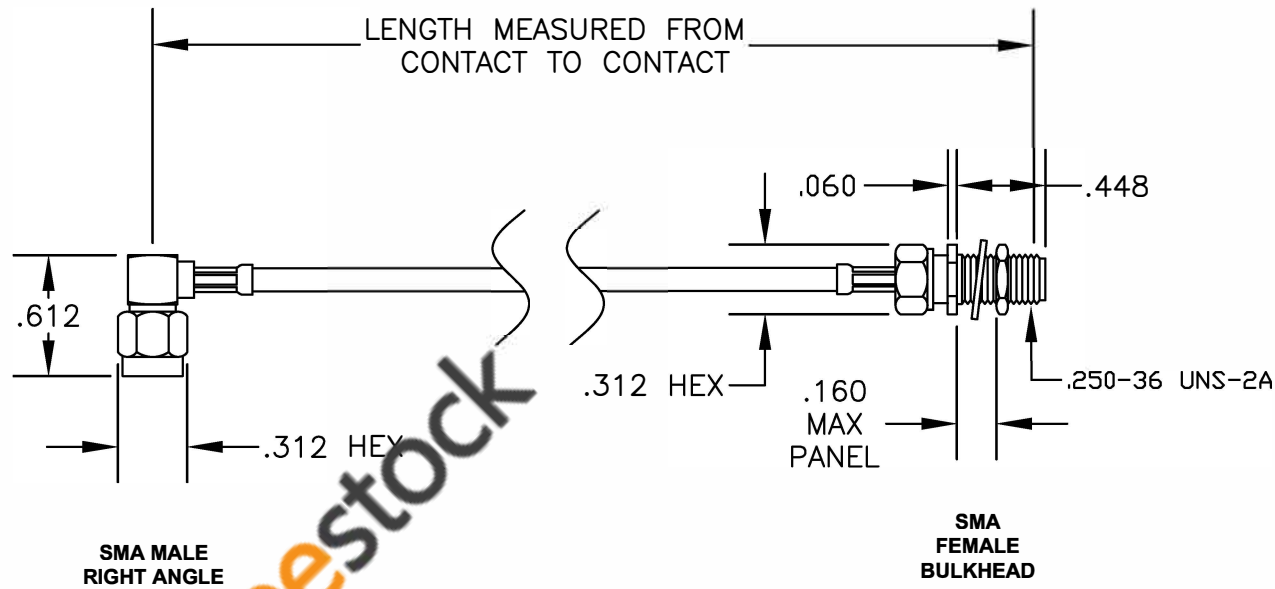
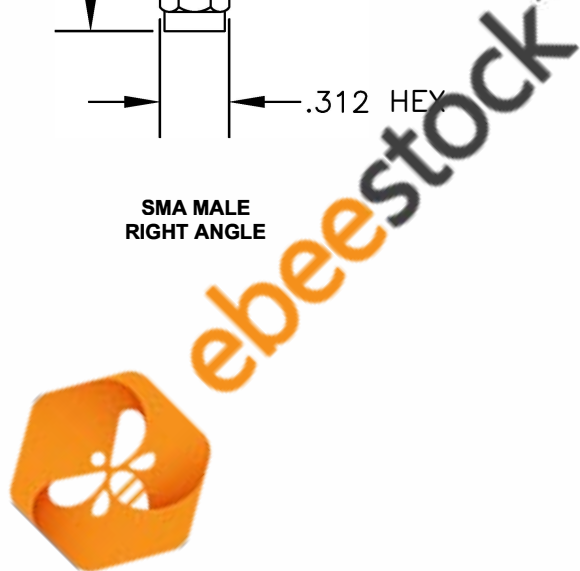



COMPONENTS	IMPEDANCE
SMA MALE RIGHT ANGLE	50 OHM
SMA FEMALE BULKHEAD	50 OHM
RG196A/U	50 OHM

Standard Lengths	
-12	12"
-24	24"
-36	36"
-48	48"
-60	60"
-XXX	Custom Length in inches



MOUNTING HOLE



 <p>8TH FLOOR, BUILDING 1, YONGFU SCIENCE AND TECHNOLOGY CENTER INDUSTRIAL PARK, NANZHA DISTRICT 5, HUMEN, 523900, DONGGUAN, GUANGDONG, CHINA</p> <p>WEBSITE: <a href="http://www.ebeestock.com">www.ebeestock.com</a> EMAIL: <a href="mailto:sales@ebeestock.com">sales@ebeestock.com</a></p> <p>ESTABLISHED 2003</p> <p>COAXIAL &amp; FIBER OPTICS</p>				
DWG TITLE	DES.			
ET36137	CABLE ASSEMBLY, RG196A/U, SMA MALE RIGHT ANGLE TO SMA FEMALE BULKHEAD			
SIZE A	FSCM NO. 53919	CAD FILE 061907	SCALE N/A	127
<p><b>NOTES:</b></p> <p>1. UNLESS OTHERWISE SPECIFIED ALL DIMENSIONS ARE NOMINAL.</p> <p>2. ALL SPECIFICATIONS ARE SUBJECT TO CHANGE WITHOUT NOTICE AT ANY TIME.</p> <p>3. DIMENSIONS ARE IN INCHES.</p> <p>4. LENGTH TOLERANCE IS <math>\pm 1.5\%</math> OR <math>\pm 3/8"</math>, WHICHEVER IS GREATER.</p>				