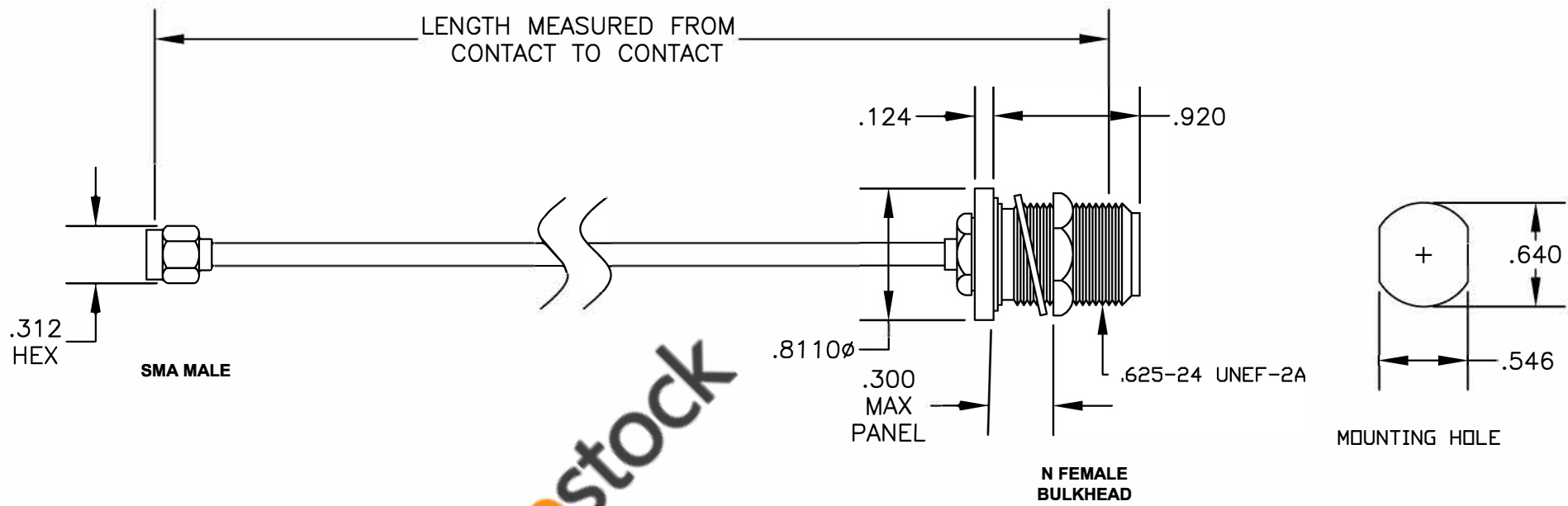



COMPONENTS	IMPEDANCE
SMA MALE	50 OHM
N FEMALE BULKHEAD	50 OHM

Standard Lengths	
-12	12"
-24	24"
-36	36"
-48	48"
-60	60"
-XXX	Custom Length in inches





8TH FLOOR, BUILDING 1, YONGFU SCIENCE AND TECHNOLOGY CENTER INDUSTRIAL PARK, MANZHA DISTRICT 5, HUMEN, 523900, DONGGUAN, GUANGDONG, CHINA

ebee stock

ESTABLISHED 2003

WEBSITE: www.ebee stock.com
 EMAIL: sales@ebee stock.com
 COAXIAL & FIBER OPTICS

DWG TITLE		DES.	
ET36152		CABLE ASSEMBLY, SMA MALE , TO N FEMALE BULKHEAD	
SIZE A	FSCMNO. 53919	CAD FILE 022807	SCALE N/A
NOTES:			
1. UNLESS OTHERWISE SPECIFIED ALL DIMENSIONS ARE NOMINAL.			
2. ALL SPECIFICATIONS ARE SUBJECT TO CHANGE WITHOUT NOTICE AT ANY TIME.			
3. DIMENSIONS ARE IN INCHES.			
4. LENGTH TOLERANCE IS ± 1.5% OR ±3/8", WHICHEVER IS GREATER.			