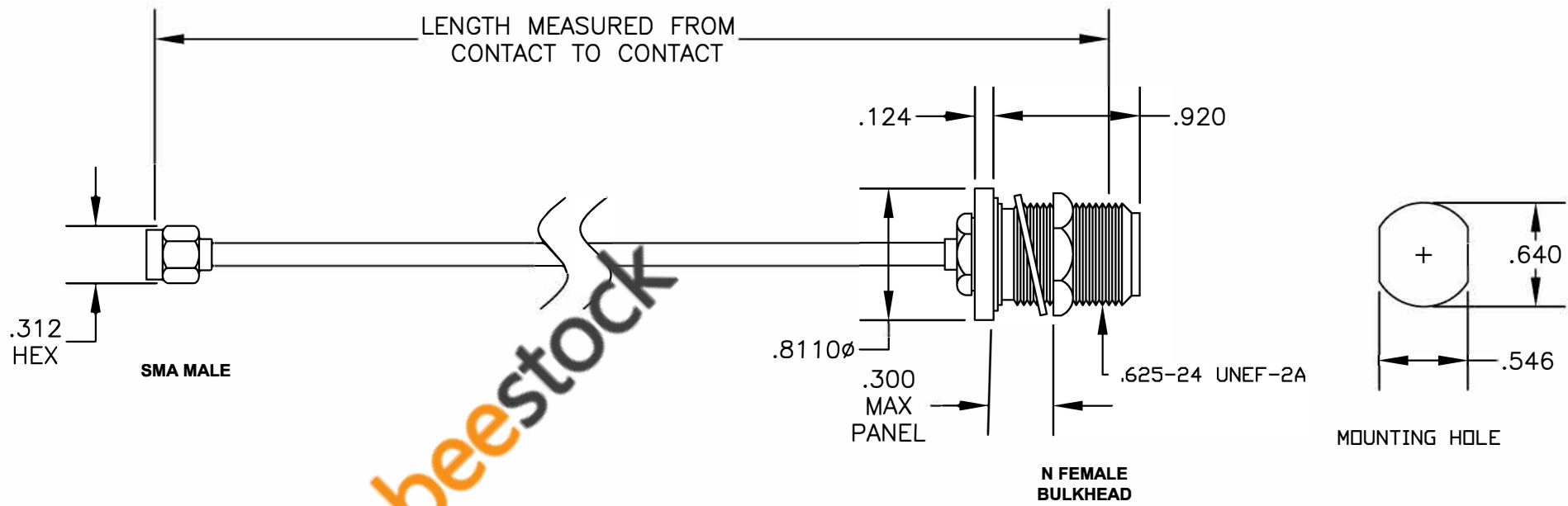


COMPONENTS	IMPEDANCE
SMA MALE	50 OHM
N FEMALE BULKHEAD	50 OHM

Standard Lengths	
-12	12"
-24	24"
-36	36"
-48	48"
-60	60"
-XXX	Custom Length in inches



ESTABLISHED 2003

COAXIAL & FIBER OPTICS

DWG TITLE	DES.
ET36153	CABLE ASSEMBLY, SMA MALE , TO N FEMALE BULKHEAD
SIZE A	FSCMNO. 53919
CAD FILE	022807
SCALE	N/A
	127

NOTES:

- UNLESS OTHERWISE SPECIFIED ALL DIMENSIONS ARE NOMINAL.
- ALL SPECIFICATIONS ARE SUBJECT TO CHANGE WITHOUT NOTICE AT ANY TIME.
- DIMENSIONS ARE IN INCHES.
- LENGTH TOLERANCE IS $\pm 1.5\%$ OR $\pm 3/8"$, WHICHEVER IS GREATER.